

CHERY

RK404-A/RK454-A/RK504-A Wheeled Tractor

Parts Catalog

英文版

CHERY HEAVY INDUSTRY CO.,LTD.

RK404-A/RK454-A/RK504-A

Wheeled Tractor

Parts Catalogue

Chery Heavy Industry Co., Ltd.

Brief Introduction of the Content

This catalogue systematically introduces main part names, part codes, part use amount of related assemblies and the like of RK404-A/RK454-A/RK504-A wheeled tractor through parts illustrations and parts lists and is used in service, maintenance and repair.

Foreword

RK404-A/RK454-A/RK504-A wheeled tractor is one of series of leading products of Chery Heavy Industry Co., Ltd. This model has the characteristics of compact structure, convenience in control, flexible steering, great traction force, extensive use, convenience in maintenance, etc., can carry out various field works such as ploughing, raking, sowing, harvesting, etc. together with corresponding agricultural implements and can be used for transportation work and fixed power such as power generation, irrigation and drainage, etc.

Along with the development of science and technology and use requirements, product structure will be improved and perfected constantly. Except for amendments in republication, catalogue content and actual structure may be slightly differently without prior notice. User shall not make any unjustifiable claim based on parts lists and parts illustrations in this catalogue. Please note.

As inadequacies are inevitable because the content of this catalogue is too much, we sincerely hope that the majority of users can put forward valuable opinions and suggestions for further improvement and perfection.

Chery Heavy Industry Co., Ltd. has the copyright, amendment and explanation rights of the parts catalogue. No entity or individual shall reprint, publish or duplicate this parts catalogue without the consent of Chery Heavy Industry Co., Ltd.

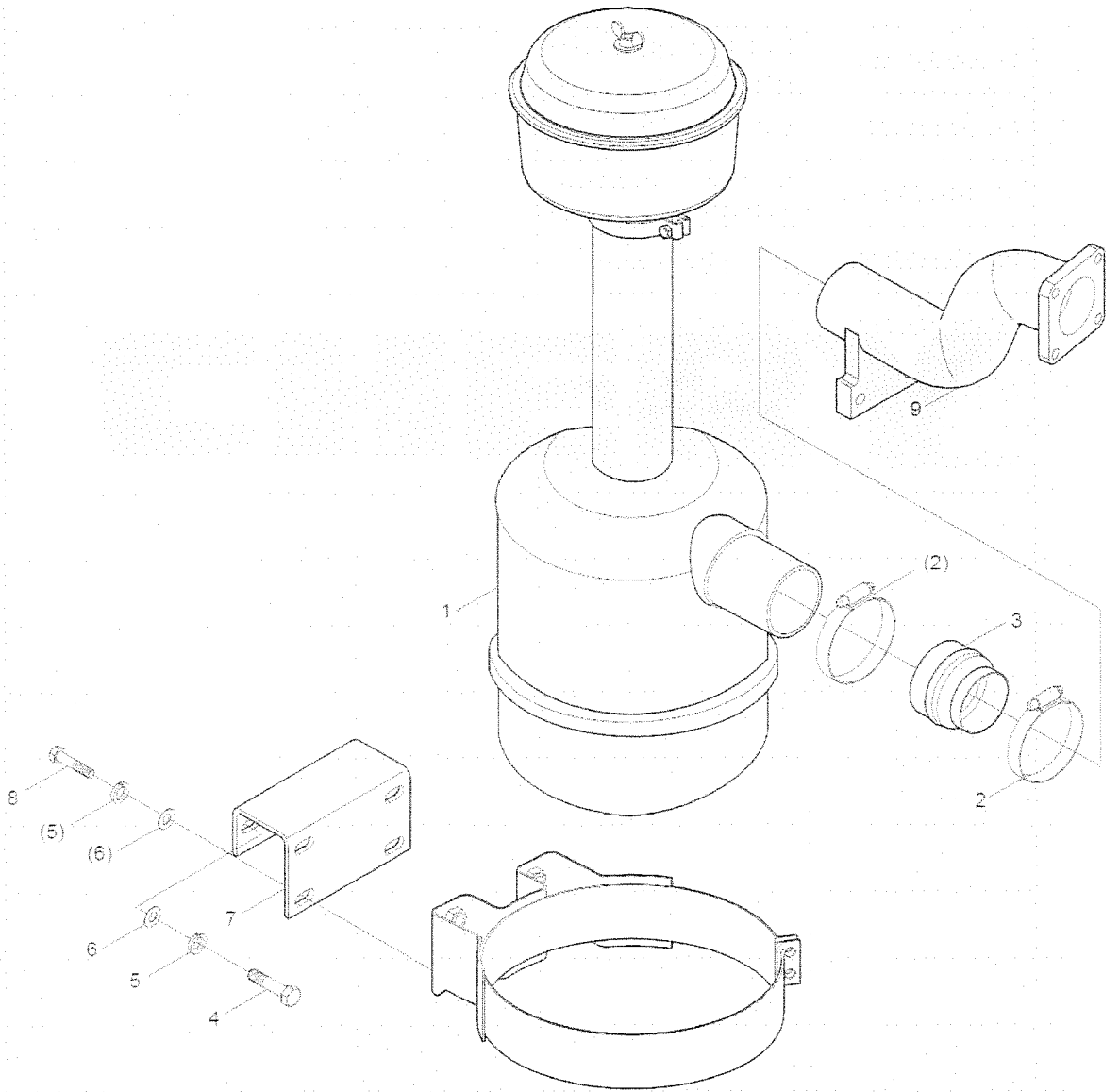
Chery Heavy Industry Co., Ltd.

Mar, 2013

Table of Contents

S/N	Code Name	Name and Specification of Parts	Applicable Model			Page
			RK404-A	RK454-A	RK504-A	
			RK404-D1H2 FG6J6MN-C	RK454-D1H2 FG6J6MN-C	RK504-D1H2 FG6J6MN-C	
1	RC400.11P.001	Air filter assembly (optional)	✓	✓	✓	1
2	RC450.13P.001	Cooling system assembly	✓	✓	✓	5
3	RC400.20.001	Engine and control assembly	✓	✓	✓	7
4	RC400.21PB.001	Clutch assembly	✓	✓	✓	9
5	RC550.22C.001	Exhaust system assembly	✓	✓	✓	11
6	RC504.31.001	Front drive axle assembly	✓	✓	✓	13
7	RC404.32.001	Front wheel assembly 8.3-20 tire	✓	✓	✓	31
8	RC400.34B.001	Rear wheel assembly	✓	✓	✓	33
9	RC300.35C.001	Traction device assembly	✓	✓	✓	35
10	RC550.37PJ.001	Transmission assembly	✓	✓	✓	37
11	RC454.38PJ.001	Rear axle assembly	✓	✓	✓	51
12	RC450.39.001	Final drive assembly	✓	✓	✓	59
13	RC454.40A.001	Hydraulic steering assembly	✓	✓	✓	63
14	RC550.41P.001-3	Power output assembly	✓	✓	✓	67
15	RC454.42PE.001	Transfer case assembly	✓	✓	✓	71
16	RC450.43C.001	Brake assembly	✓	✓	✓	75
17	RC300.44C.001	Seat assembly	✓	✓	✓	77
18	RC550.45C.001	Floor and mudguard assembly	✓	✓	✓	79
19	RC550.46.001	Safety frame assembly	✓	✓	✓	83
20	RC550.47P.001	Engine hood installing assembly	✓	✓	✓	85
21	RK504.48E.001	Electrical equipment installation drawing	✓	✓	✓	87

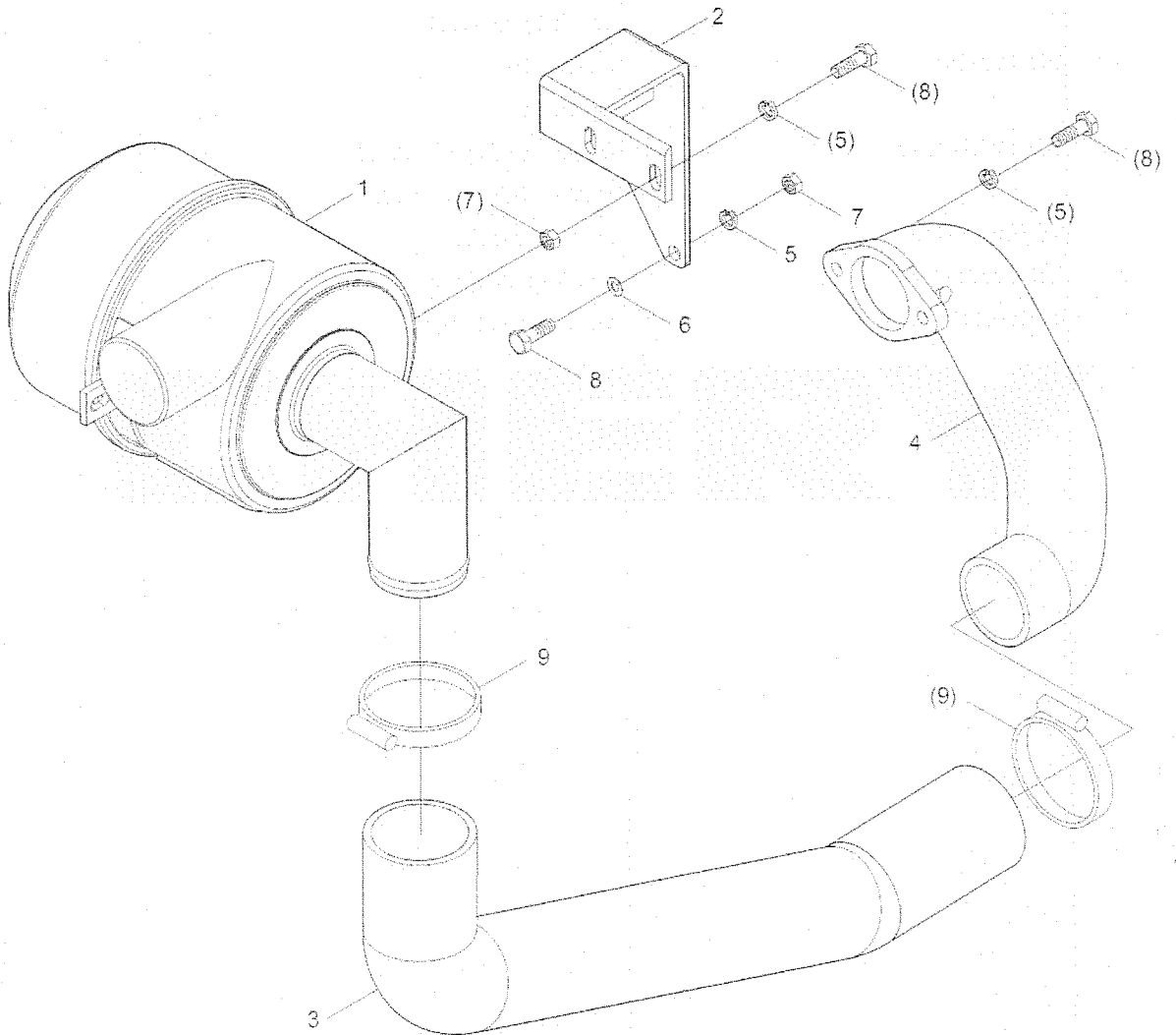
RC400.11P.001
Air Filter Assembly (optional)



RC400.11P.001
Air Filter Assembly (optional)

S/N	Code and Specification of Parts	Parts Name	Quantity	Remark
1	RC550.11Q.1	air filter assembly	1	
2	JB/T8870-1999	Hose clamp d80	2	
3	RC500A.11.101	Air hose	1	
4	GB/T5783-2000	Bolt M10x25-Zn.D	2	
		Bolt M8x25-Zn.D	2	
5	GB/T93-1987	Washer 10	2	
		Washer 8	4/2	
6	GB/T97.1-2002	Washer 10-200HV-Zn.D	2	
		Washer 8-200HV-Zn.D	4/2	
7	RC500.11.020	air filter bracket	1	
8	GB/T5783-2000	Bolt M8x20-Zn.D	2	
9	RC400.11P.101-1	Air intake belt pipe	1	

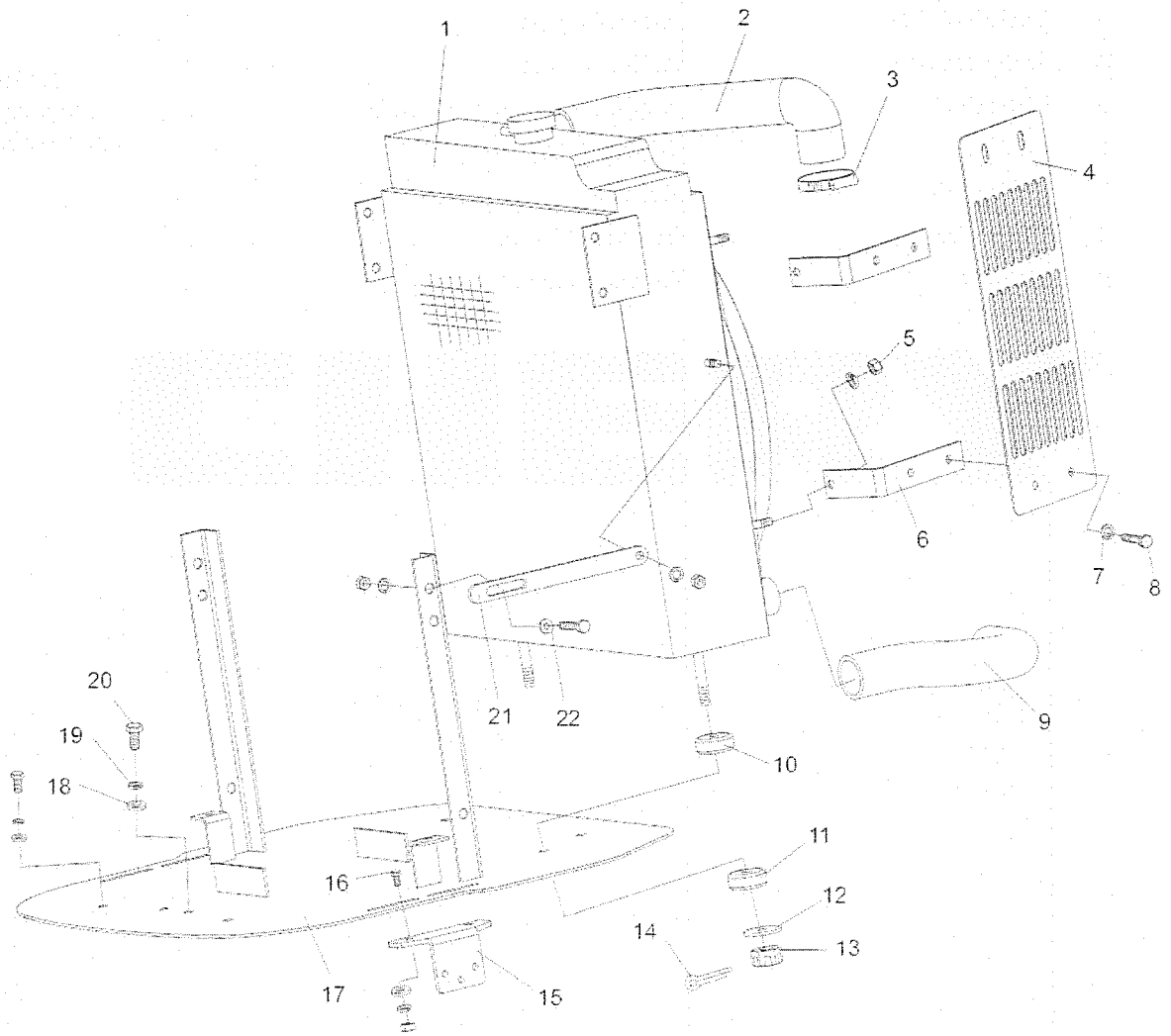
RC400.11C.001
Air Filter Assembly



RC400.11C.001
Air Filter Assembly

S/N	Code and Specification of Parts	Parts Name	Quantity	Remark
1	D250.11C.010	air filter assembly	1	
2	D250.11C.030	Air filter bracket welding		
3	D250.11C.102	Air intake pipe	1	
4	D250.11C.101	Air intake hose	1	HT200
5	GB/T93	A-type combination washer 8	2	Cloth-inserted
6	GB/T93	Washer 8-AOP	2	oil-resisting hose
7	GB/T6170	Nut M8	2	
8	GB/T5783	Bolt M8x25-A3L	2	
9	Q67689	B-type worm drive hose clip	2	

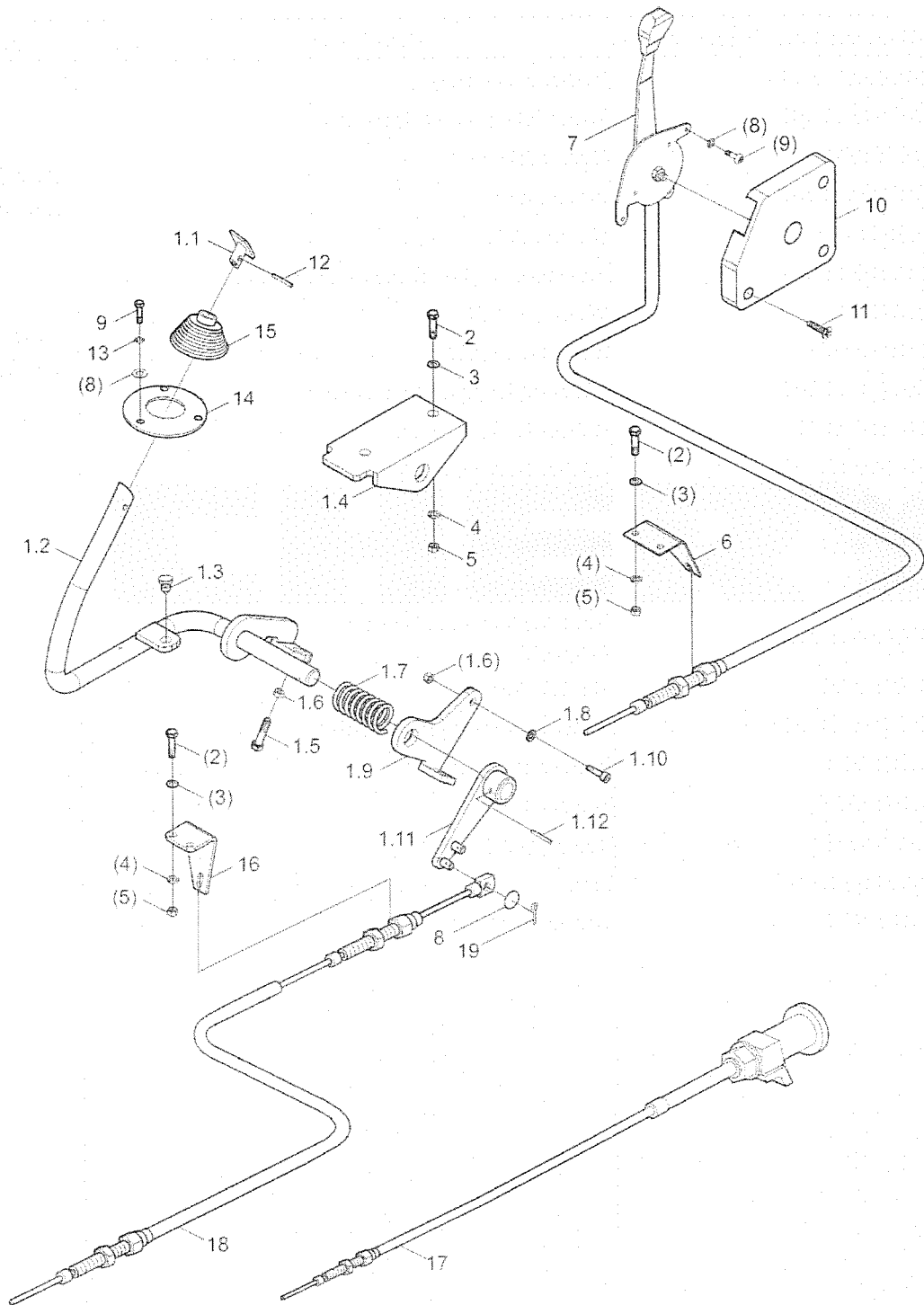
RC450.13P.001
Cooling System Assembly



RC450.13P.001 Cooling System Assembly

S/N	Code and Specification of Parts	Parts Name	Quantity	Remark
1	RC450.13P.010	Radiator assembly	1	
2	RC500.13.101	Water inlet pipe of water tank	1	
3	JB/T8870	Hose clamp d60	4	
4	RC300.13.107	Protecting net	2	Used for export certified tractor
5	GB/T6170	Nut M8-A3L	12	
6	RC300.13.013	Protection net connecting plate welding	4	
7	GB/T 93	Washer 8-AOP	12	
8	GB/T55783	Bolt M8x25-A3L	12	Used for export certified tractor
9	RC450.13.102	Water outlet pipe of water tank	1	
10	RC650.13.112	Rubber backing block	2	
11	RC800.13.107	Rubber backing block	2	
12	RC800.13.106	Shim	2	
13	GB/T 6178	Slotted nut M10-A3L	2	
14	GB/T 91	Split pin 2.5x30-AOP	2	
15	RC550.13.215A	Hood latch bracket Washer 8-200HV	2	
16	GB/T 5783	M8X20-A3L	4	
17	RC450.13P.020	Water tank shim plate welding	1	
18	GB/T 97.1	Washer 10-AOP	4	
19	GB/T5935	Washer 10-AOP	4	
20	GB/T55783	Bolt M10x25-A3L	4	
21	RC500.13.204A	Link	2	
22	GB/T 97.1	Washer 8-AOP	10	

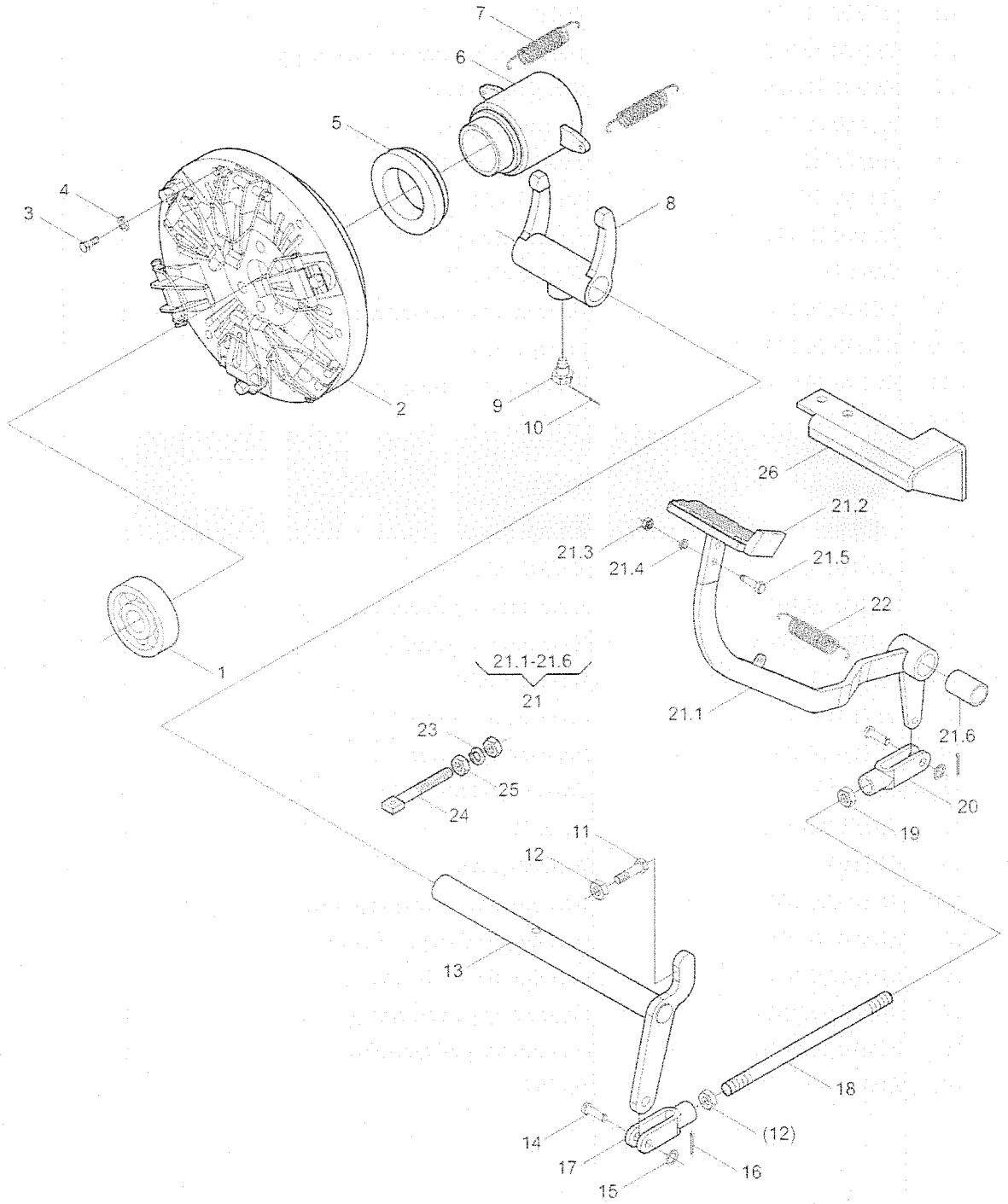
RC400.20.001
Engine Control Mechanism Assembly



RC400.20.001 Engine Control Mechanism Assembly

S/N	Code and Specification of Parts	Parts Name	Quantity	Remark
1	RC300.20.010	Foot throttle pedal assembly	1	
1.1	RC800.20.105	Pedal	1	
1.2	RC300.20.013	Pedal rocking arm welding-on unit	1	
1.3	RC800.20.106	Damping cushion	1	
1.4	RC800.20.112	Throttle support	1	
1.5	GB/T5783	Bolt M8x45-A3L	1	
1.6	GB/T6170	Nut M8-A2L		
1.7	RC800.20.111	Torsion spring	1	
1.8	GB/T97.1	Washer 8-AOP	1	
1.9	RC800.20.110	Hand throttle rocking arm	1	
1.10	RC650.20.133	Fixing screw	1	
1.11	RC300.20.011	Foot throttle rocking arm welding-on unit	1	
1.12	GB/T879.1	Pin 5x22	1	
2	GB/T5783	Bolt M8x20-A3L	6	
3	GB/T97.1	Washer 8-AOP	6	
4	GB/T93	Washer 8-AOP	6	
5	GB/T6170	Nut M8-A2L	6	
6	RC300.20.105	Hand throttle pull bracket	1	
7	RC700.20.019A	Hand throttle assembly	1	
8	GB/T97.1	Washer 6-AOP	7	
9	GB/T818	Cross screwM6x16-A3L	6	
10	RC800.20.108	Hand throttle cover	1	
11	GB/T819	Cross screwM8x30-A3L	3	
12	GB/T879.1	Pin 5x20	1	
13	GB/T93	Washer 6-AOP	3	
14	RC800.20.104	Dust proof cover pressing plate	1	
15	RC800.20.103	Foot throttle dust proof cover	1	
16	RC300.20.106	Foot throttle pull bracket	1	
17	RC400.20.018A	Engine stop pull assembly	1	
18	RC650.20.014A	Foot throttle pull assembly	1	
19	GB/T91	Pin 2x12	1	

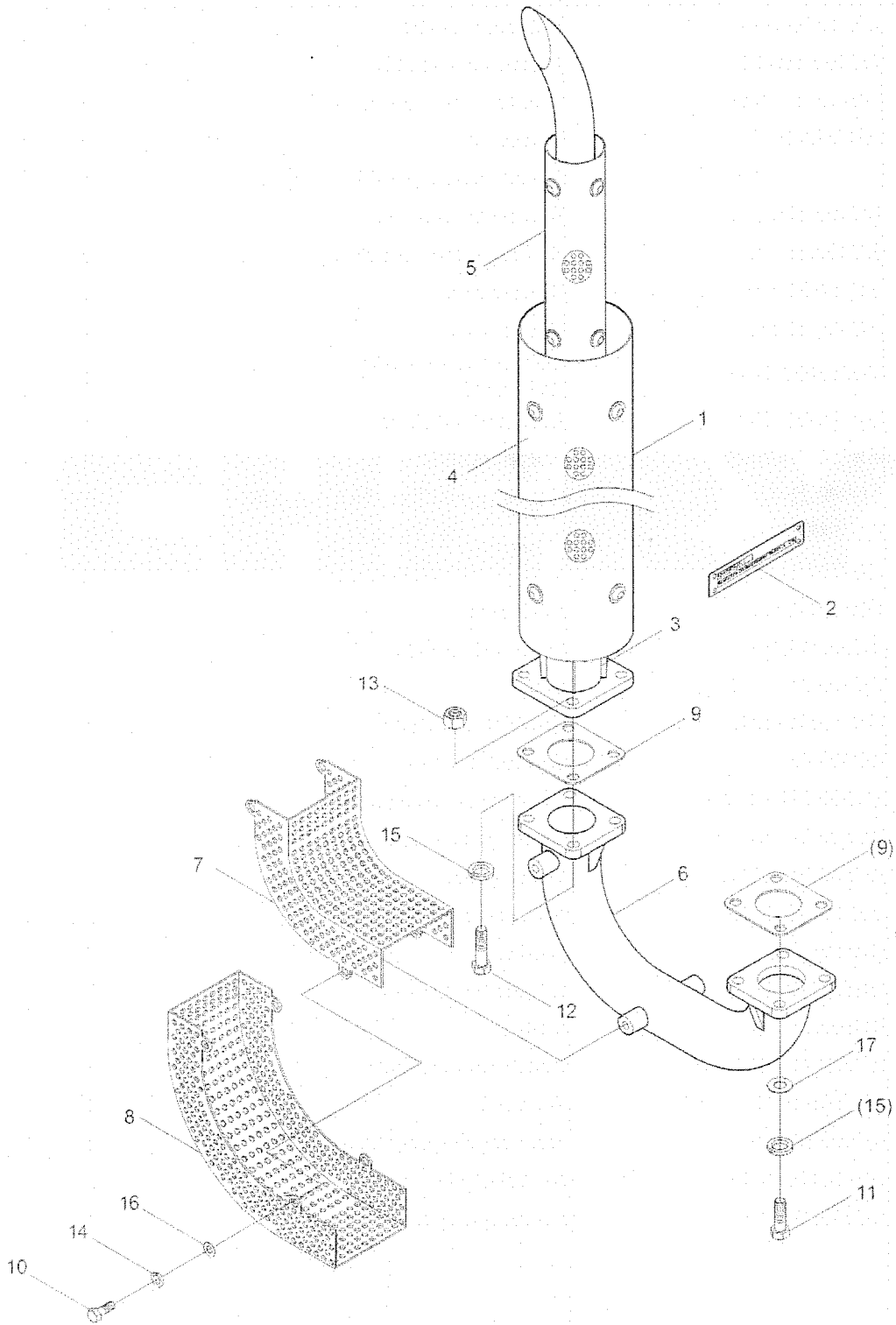
RC400.21PB 001
Clutch Assembly



RC400.21PB001 Clutch Assembly

S/N	Code and Specification of Parts	Parts Name	Quantity	Remark
1	GB/T276-1994	Bearing 6204-2Z	1	
2	RC400.21B.011	Clutch subassembly	1	
3	GB/T5783-2000	Bolt M10x45-10.9-Zn.D	6	
4	GB/T93-1987	Washer 10	6	
5		Release bearing996713	1	
6	RC400.21B.101	Release bearing seat	1	
7	RC300.21.102	Bearing seat return spring	2	
8	RC300.21.103	Release fork	1	
9	RC300.21.113	Check screw	1	
10	YB/T5032-1993	Galvanized steel wire Zd1.4x250	1	
11	GB/T5783-2000	Bolt M10x40-Zn.D	1	
12	GB/T6170-2000	Nut M10-Zn.D	2	
13	RC300.21.013	Clutch release fork shaft assembly	1	
14	GB/T882-2000	Axis pin B10x30-Zn.D	2	
15	GB/T97.1-2002	Washer 10-200HV-Zn.D	2	
16	GB/T91-2000	Pin 3.2x16	2	
17	RC300.43.108	Front fork of link	1	
18	RC300.21.110-1	Link	1	
19	GB/T6170-2000	Nut M10-left-Zn.D	1	
20	RC300.43.110	Pull rod rear fork	1	
21	RC500.21P.012A	Clutch pedal assembly	1	
21.1	RC500.21P.015-2	Clutch pedal rocker arm welding	1	
21.2	RC500.21R111-1	Clutch pedal	1	
21.3	GB/T6170-2000	Nut M8-Zn.D	2	
21.4	GB/T93-87	Washer 8	2	
21.5	GB/T27-1988	Reamer boltM8x35	2	
21.6	RC300.21.112	Bush	1	
22	RC500.21P.210	Clutch return spring	1	
23	GB/T93-1987	Washer 8	1	
24	RC800.21.109	Main clutch spring hanger	1	
25	GB/T6170-2000	Nut M8-Zn.D	2	
26	RC550.21P.030	Return spring bracket welding	1	

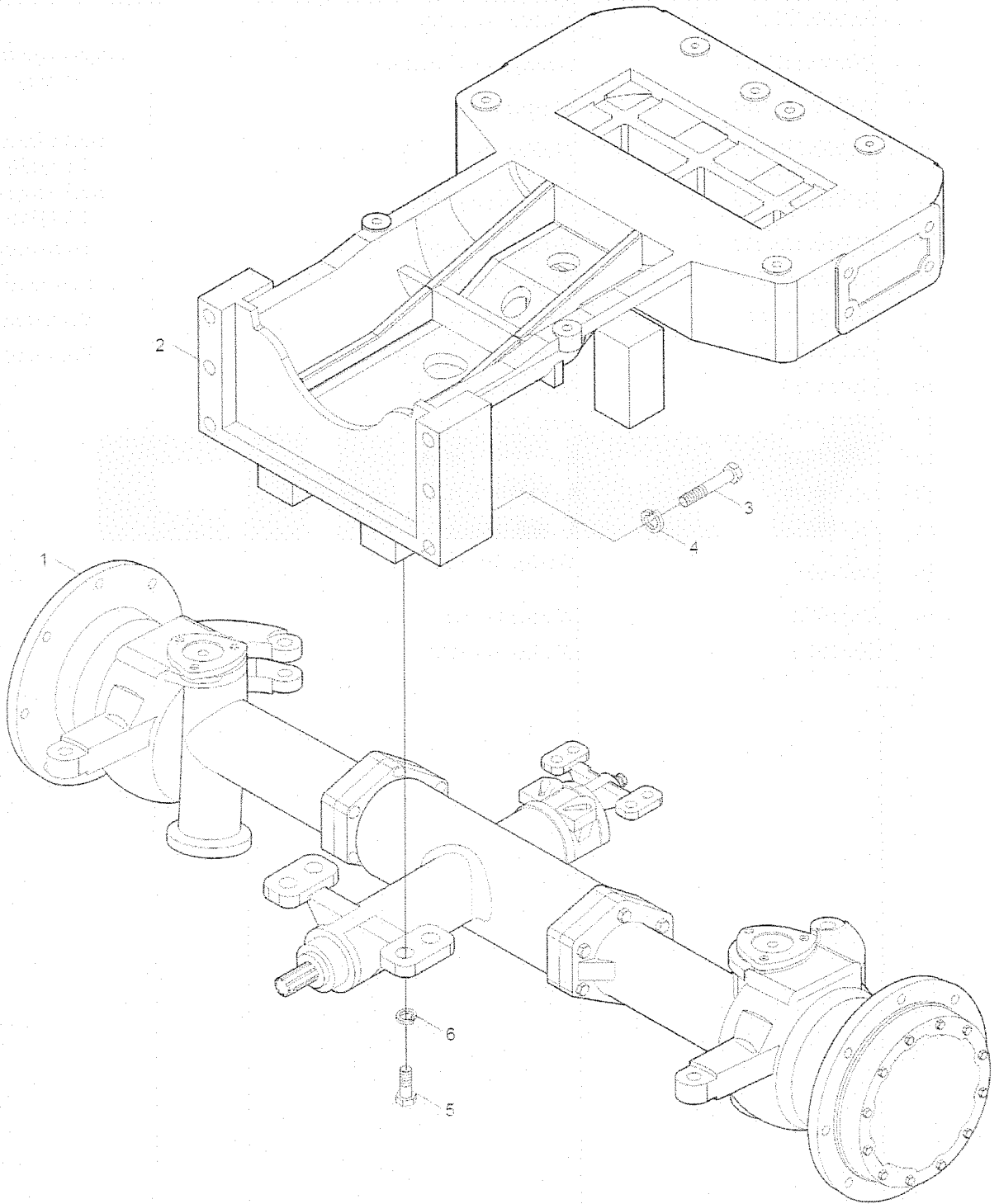
RC550.22C.001
Exhaust System Assembly



RC550.22C.001 Exhaust System Assembly

S/N	Code and Specification of Parts	Parts Name	Quantity	Remark
1	RC550.22C.1	Muffler assembly	1	
2	RC550.22C.104	Nameplate of muffler	1	Aluminium sheet (t=0.8)
3	RC550.22C.101	Muffler	1	
4	RC550.22C.102	Muffler cover	1	Steel wire net 1.0/Q195
5	RC550.22C.103	Air outlet pipe cover	1	Steel wire net 1.0/Q195
6	RC550.22X.111	Exhaust belt pipe	1	Borrowed
7	RC300.22.151	Protection net 1	1	Borrowed
8	RC300.22.152	Protection net 2	1	Borrowed
9	RC300.22.030	Combined sealing packing	2	Borrowed
10	GB/T5783	Bolt M8 X 16-A3L	4	
11	GB/T5783	Bolt M10 X 30-A3L	4	
12	GB/T5783	Bolt M10 X 40-A3L	4	
13	GB/T6170	Nut M10- A2L	4	
14	GB/T93	Washer 8-AOP	4	
15	GB/T93	Washer 10-AOP	8	
16	GB/T97.1	Washer 8-AOP	4	
17	GB/T97.1	Washer 10-AOP	4	

RC504.31.001
Front Driving Axle Assembly (1)

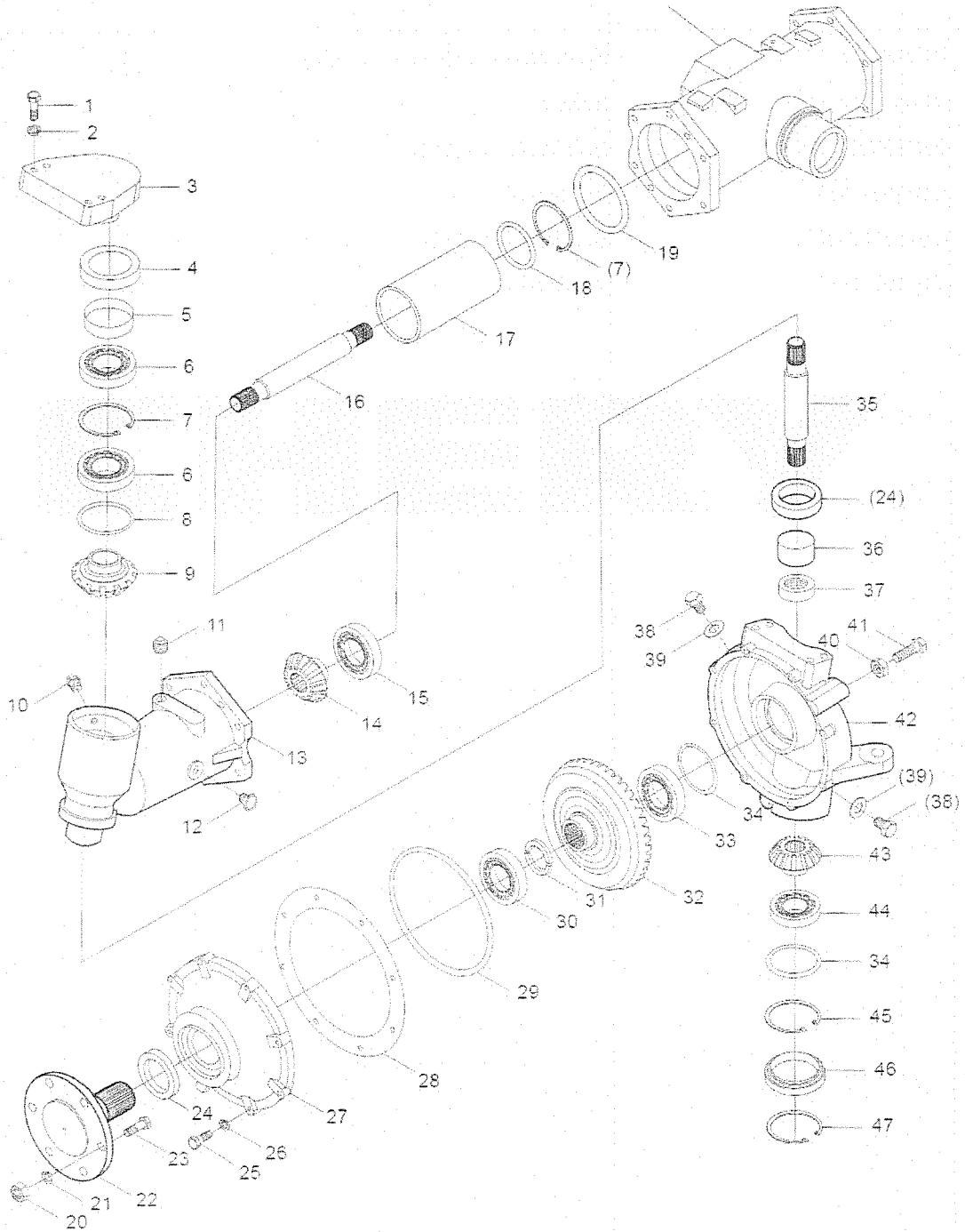


RC504.31.001
Front Driving Axle Assembly (1)

S/N	Code and Specification of Parts	Parts Name	Quantity	Remark
1	RC504.311	Front driving axle sub-assembly	1	
2	RC404.312-01	Bracket	1	
3	GB/T5782-2000	Bolt M16x110-Zn.D	6	
4	GB/T93-1987	Washer 16	6	
5	GB/T5783-2000	Bolt M14x45-Zn.D	8	
6	GB/T93-1987	Washer 14	8	

RC504.31.001
Front Driving Axle Assembly (2)

Main reduction gearbox case

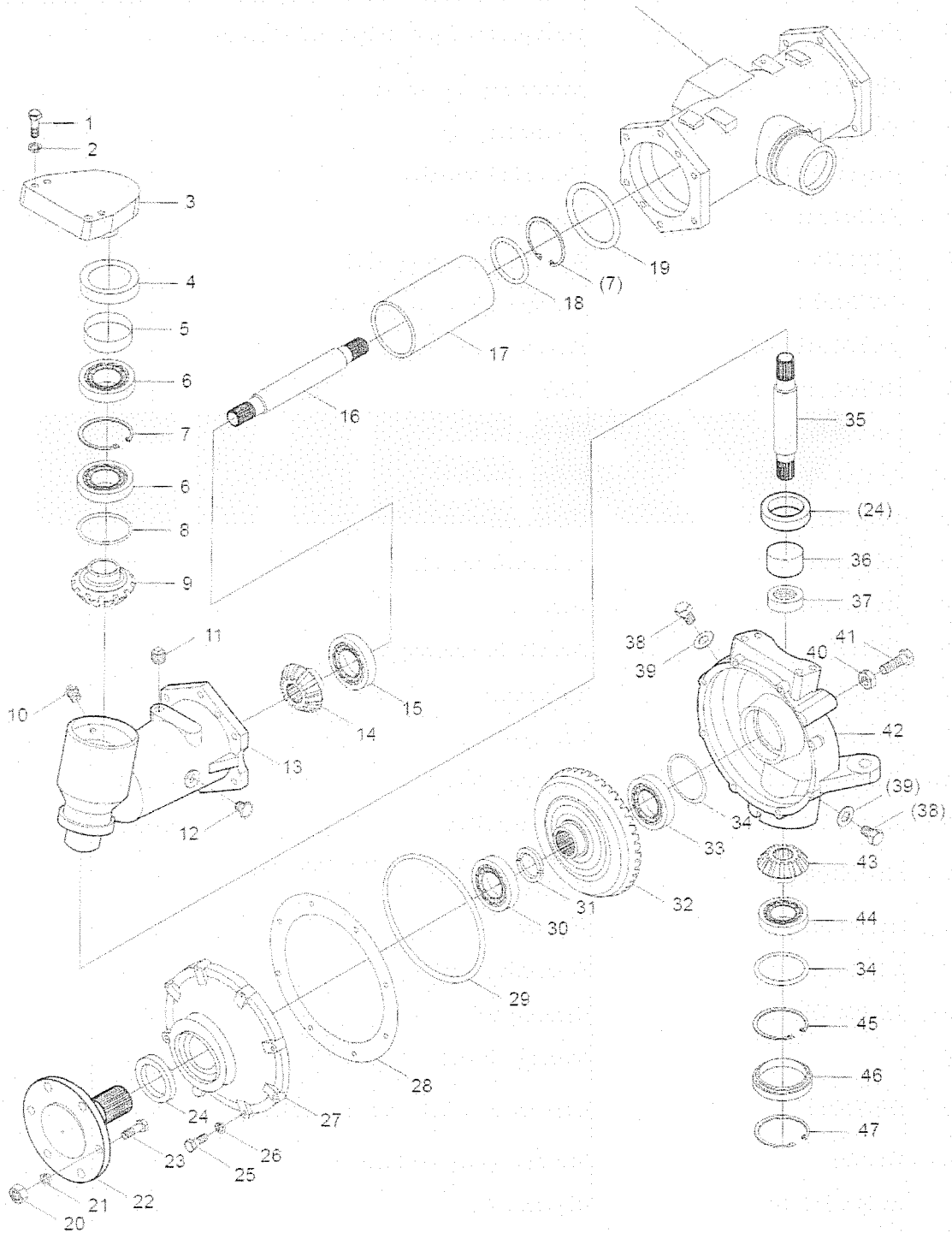


RC504.31.001
Front Driving Axle Assembly (2)

S/N	Code and Specification of Parts	Parts Name	Quantity	Remark
1	GB/T5783	Hexagon head bolt - full thread M12x40	4	
2	GB/T93	Standard spring washer 12	4	
3	RC304.31F.124	Connecting cap	1	
4	GB/T9877.1	Oil seal FB8010512	1	
5	RC304.31F.125	Oil seal bush	1	
6	GB/T276	Annular ball bearing 6013	2	
7	GB/T893.1	Circlip for hole - A type 100	2	
8	RC304.31F.188	Plain washer	1	
9	RC304.31F.122	Gear	1	
10	JB/T7940.1	Oil cup M10x1	1	
11	Q/YXF70-1992	Screw plugZ3/8"	1	
12	GB/T1160.2	Oil leveler A10	1	
13	RC304.31F.121	Axle shaft housing	1	
14	RC304.31F.126	Gear	1	
15	GB/T276	Annular ball bearing 6309	1	
16	RC304.31F.128	Spline shaft	1	
17	RC304.31F.127	Casing pipe	1	
18	RC304.31F.123	Adjusting shim	Group 1	
19	RC304.31F.130	Adjusting shim	Group 1	
20	GB/T6176	II type hexagon nut - fine thread M14x1.5	6	
21	RC304.31F.205	Washer	6	
22	RC304.31F.117	Front drive shaft	1	
23	RC304.31F.115	Knurling bolt	6	
24		Floating oil seal	2 pairs	
25	GB/T5783	Hexagon head bolt - full threadM8x35	8	
26	GB/T93	Standard spring washer	8	
27	RC304.31F.107	Big end cover	1	
28	RC304.31F.190	Adjusting shim	Group 1	

RC504.31.001
Front Driving Axle Assembly (2) Continued

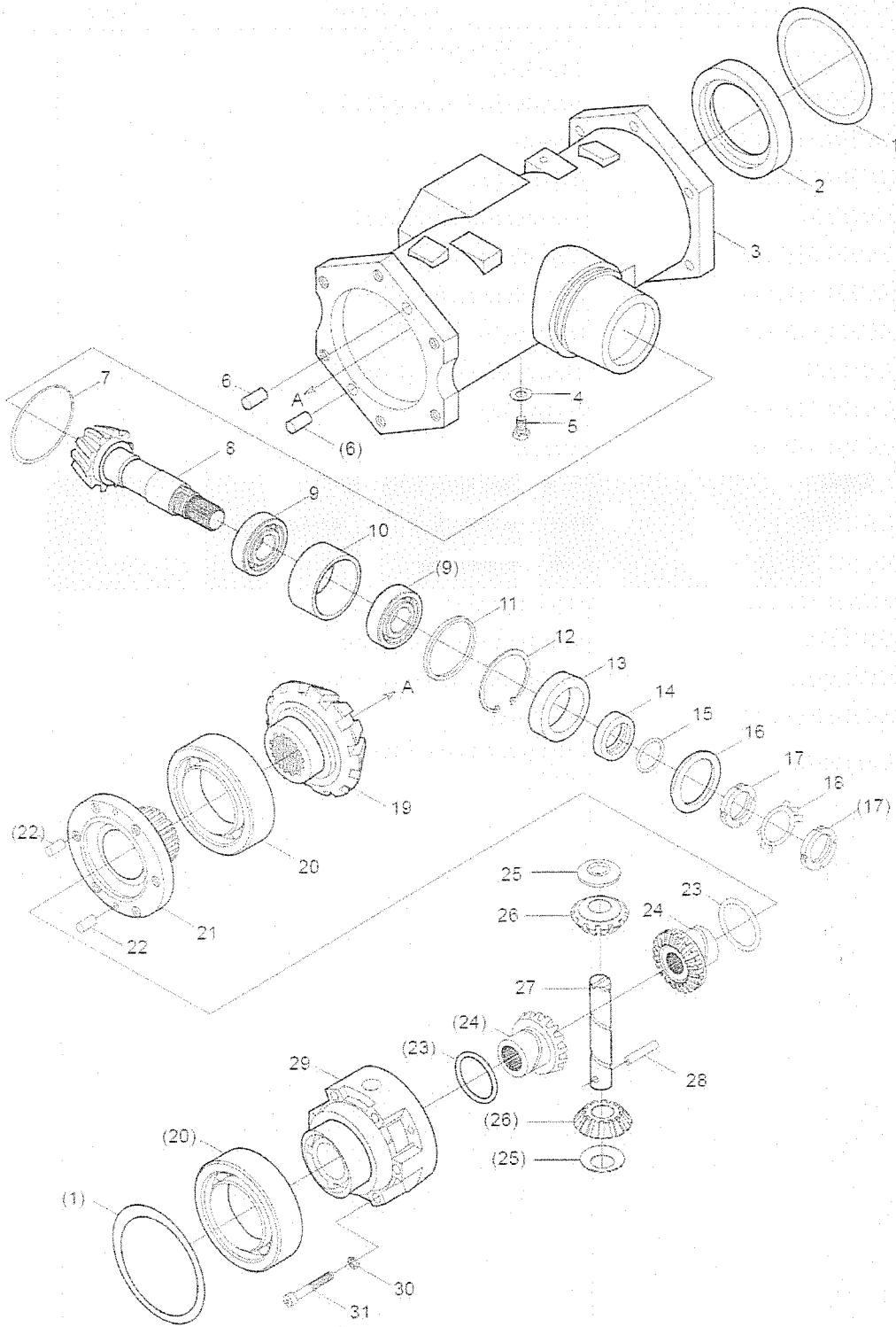
Main reduction gearbox case



RC504.31.001
Front Driving Axle Assembly (2) Continued

S/N	Code and Specification of Parts	Parts Name	Quantity	Remark
29	GB3452.1	O-type rubber seal ring 236x5.3G	1	
30	GB/T276	Annular ball bearing6310	1	
31	RC304.31F.114	Washer	2	
32	RC304.31F.108	Big end gear	1	
33	GB/T276	Annular ball bearing6210	1	
34	RC304.31F.113	Adjusting shim	2	
35	RC304.31F.110	End spline shaft	1	
36	RC304.31F.111	Bush50x30	1	
37	GB/T301	Thrust ball bearing8107	1	
38	RC304.31F.105	Screw plug	2	
39	RC304.31F.106	Washer	2	
40	GB/T6170	I type hexagon nutM16	1	
41	GB/T5783	Hexagon head bolt - full threadM16x50	1	
42	RC304.31F.109	Left terminal case	1	
43	RC304.31F.112	Small end gear	1	
44	GB/T276	Annular ball bearing 6308	1	
45	GB/T893.1	Circlip for hole - A type 90	1	
46	RC304.31F.022	Seal cover	1	
47	GB/T893.1	Circlip for hole - A type 102	1	

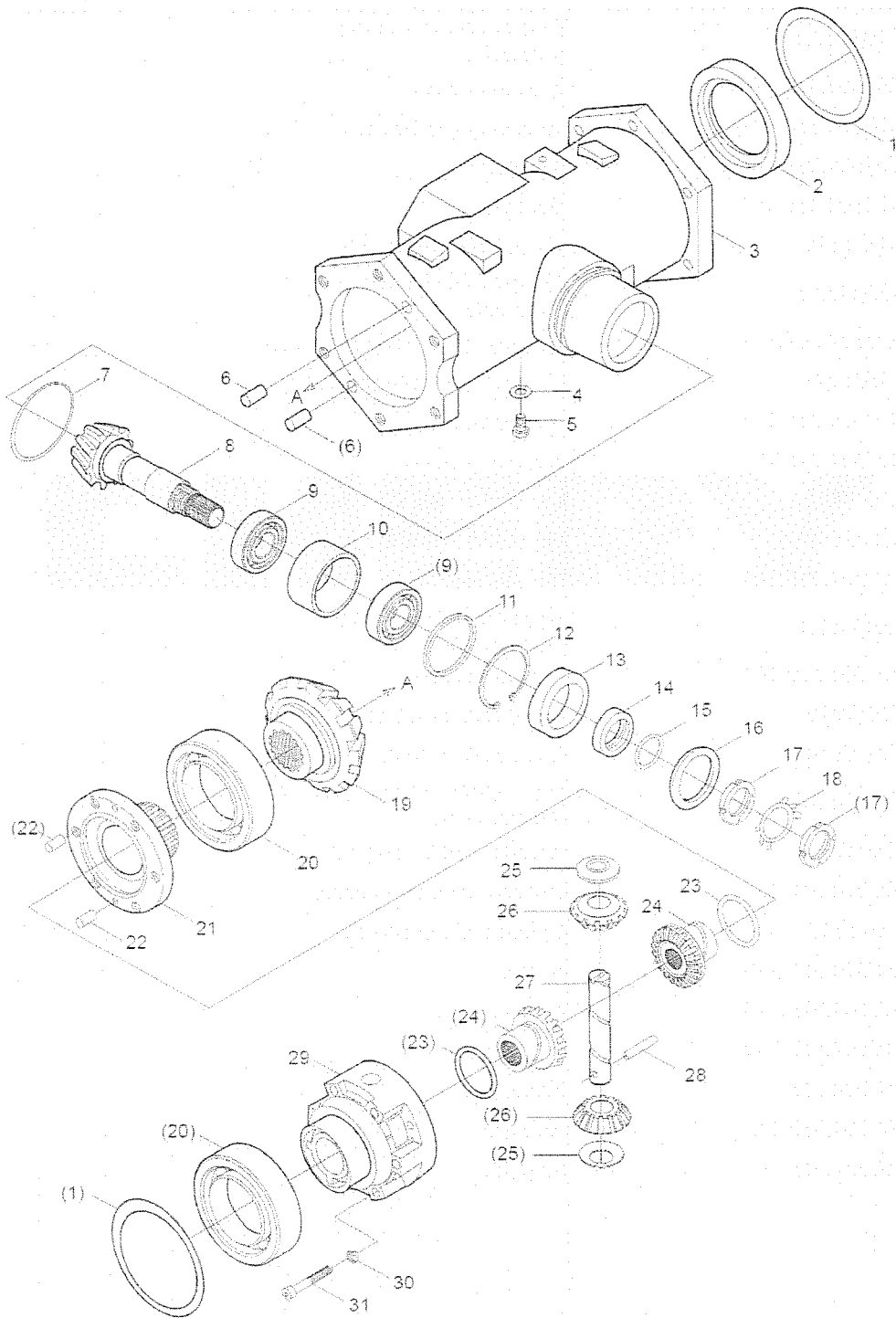
RC504.31.001
Front Driving Axle Assembly (3)



RC504.31.001
Front Driving Axle Assembly (3)

S/N	Code and Specification of Parts	Parts Name	Quantity	Remark
1	GB3452.1	O-type rubber seal ring 140x3.5G	2	
2	RC304.31F.191	Positioning disc	1	
3	RC304.31F.129	Reducing gearbox case	1	
4	RC304.31F.106	Washer	1	
5	RC304.31F.105	Screw plug	1	
6	GB/T119	Cylindrical pinB12x20		
7	GB3452.1	O-type rubber seal ring 90x2.65G	1	
8	RC304.31F.131	Driving spiral bevel gear shaft	1	
9	GB/T297	Conical roller bearing 32207		
10	RC304.31F.132	Spacer sleeve	1	
11	RC304.31F.133	Adjusting sleeve	1	
12	GB/T893.1	Circlip for hole - A type 72	1	
13	GB/T9877.1	Oil seal (F) 50728D	1	
14	RC304.31F.134	Oil seal seat	1	
15	GB3452.1	O-type rubber seal ring 34.5 x3.55G	1	
16	RC304.31F.104	Copper packing	1	
17	GB/T810	Small round M30x1.5		
18	GB/T858	Lock washer 30 for round nut	1	
19	RC304.31F.138	Big spiral bevel gear for central transmission	1	
20	GB/T276	Annular ball bearing 6216	2	
21	RC304.31F.137	Differential right housing	1	
22	GB/T119	Cylindrical pin B8x20	2	
23	RC304.31F.139	Spacer	2	
24	RC304.31F.144	Semiaxle gear	2	
25	RC304.31F.140	Washer	2	
26	RC304.31F.143	Planet gear	2	
27	RC304.31F.142	Axis pin	1	
28	RC304.31F.141	Stop pin	1	

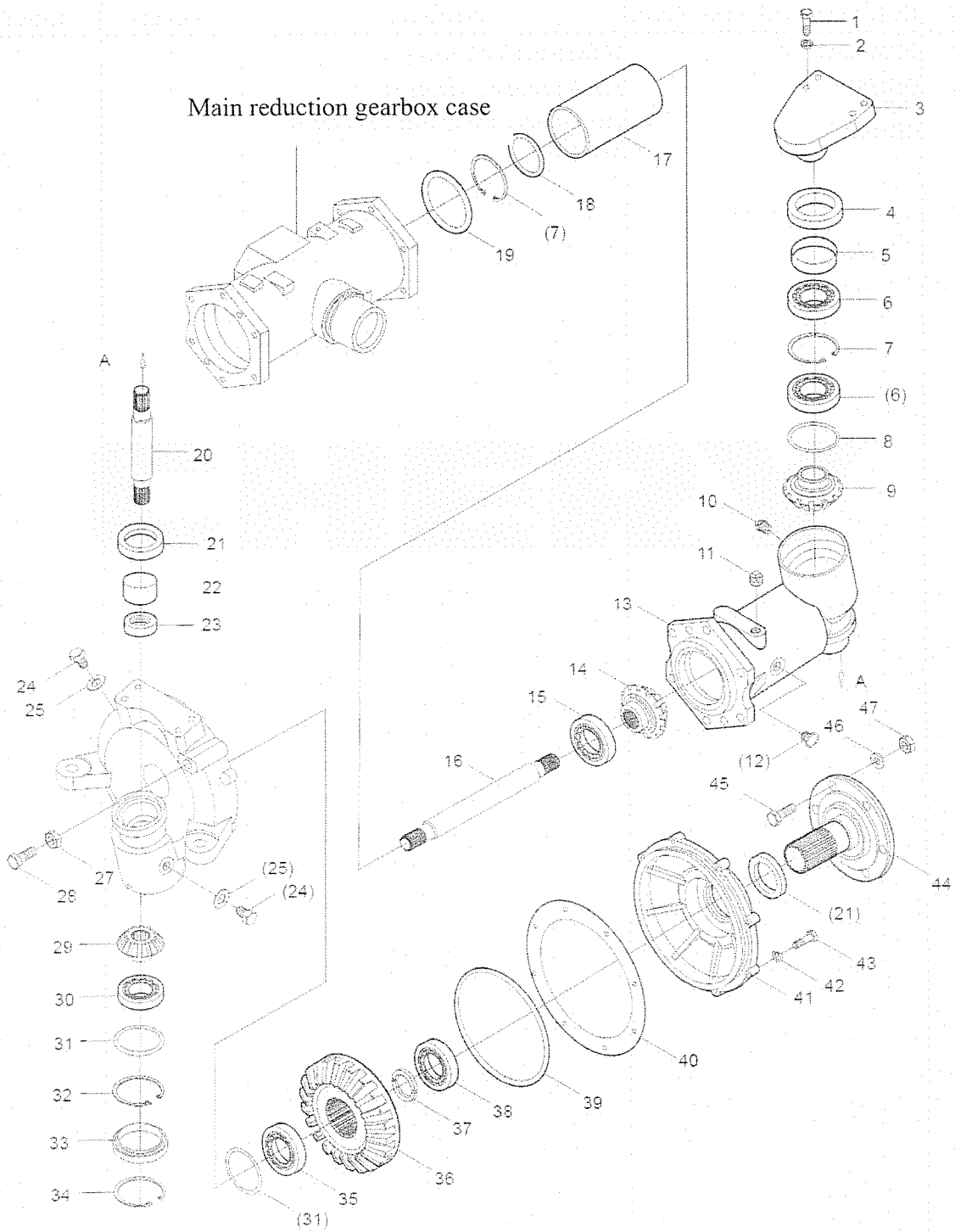
RC504.31.001
Front Driving Axle Assembly (3) Continued



RC504.31.001
Front Driving Axle Assembly (3) Continued

S/N	Code and Specification of Parts	Parts Name	Quantity	Remark
29	RC304.31F.136	Differential left housing	1	
30	GB/T93	Standard spring washer 10	6	
31	GB/T70	Inside hexagonal fillister head screw M10x70	6	

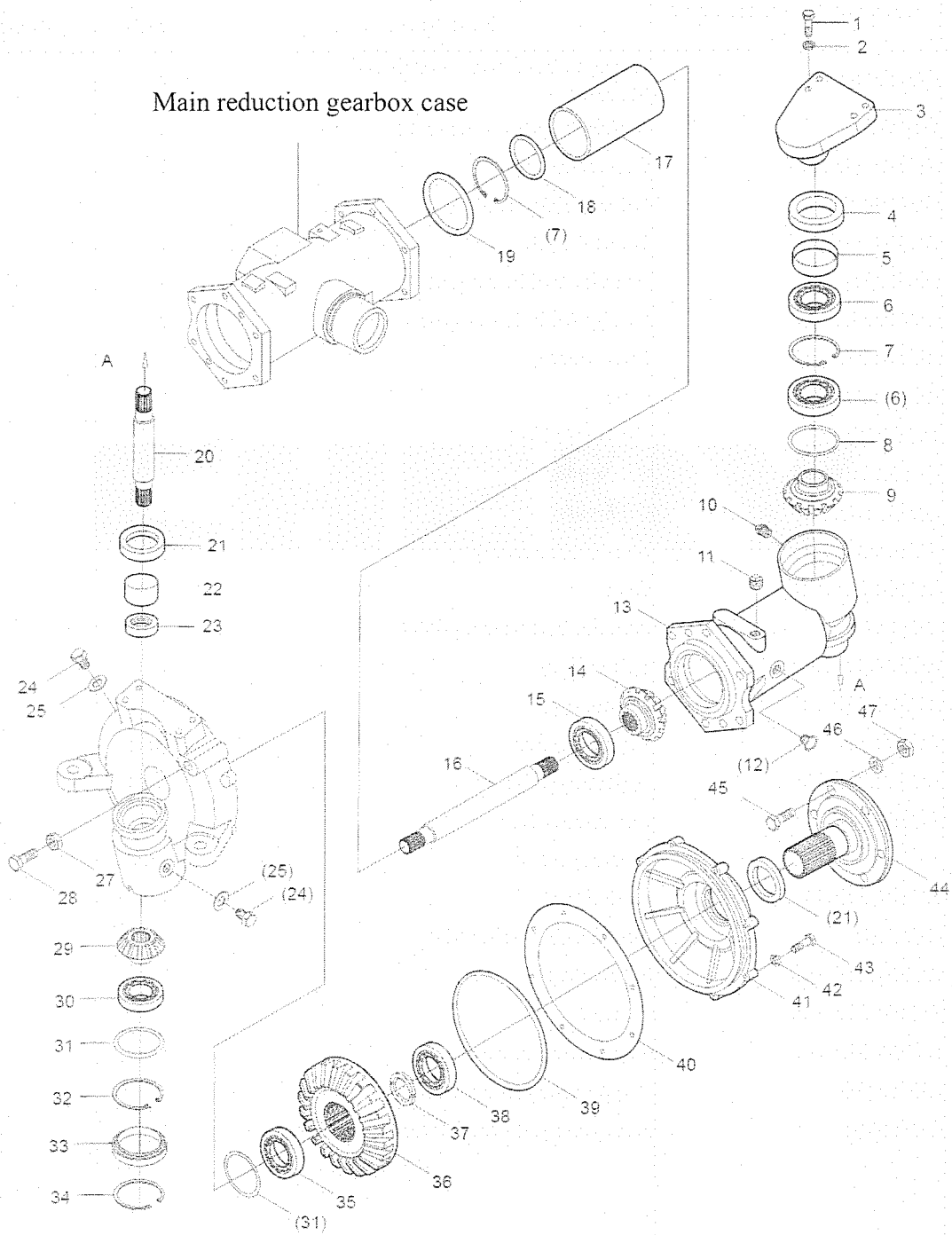
RC504.31.001
Front Driving Axle Assembly (4)



RC504.31.001 Front Driving Axle Assembly (4)

S/N	Code and Specification of Parts	Parts Name	Quantity	Remark
1	GB/T5783	Hexagon head bolt - full thread M12x40	4	
2	GB/T93	Standard spring washer 12	4	
3	RC304.31F.124	Connecting cap	1	
4	GB/T9877.1	Oil seal FB8010512	1	
5	RC304.31F.125	Oil seal bush	1	
6	GB/T276	Annular ball bearing 6013	2	
7	GB/T893.1	Circlip for hole - A type 100	2	
8	RC304.31F.188	Plain washer	1	
9	RC304.31F.122	Gear	1	
10	JB/T7940.1	Oil cup M10x1	1	
11	Q/YXF70-1992	Screw plug Z3/8"	1	
12	GB/T1160.2	Oil leveler A10	1	
13	RC304.31F.121	Axle shaft housing	1	
14	RC304.31F.126	Gear	1	
15	GB/T276	Annular ball bearing 6309	1	
16	RC304.31F.145	Spline shaft	1	
17	RC304.31F.127	Casing pipe	1	
18	RC304.31F.123	Adjusting shim	Group 1	
19	RC304.31F.130	Adjusting shim	Group 1	
20	RC304.31F.110	End spline shaft	1	
21		Floating oil seal	2 pairs	
22	RC304.31F.111	Bush 55x30	1	
23	GB/T301	Thrust ball bearing 8107	1	
24	RC304.31F.105	Screw plug	2	
25	RC304.31F.106	Washer	2	
26	RC304.31F.146	Right terminal case	1	
27	GB/T6170	I type hexagon nut M16	1	
28	GB/T5783	Hexagon head bolt full thread M16x50	1	

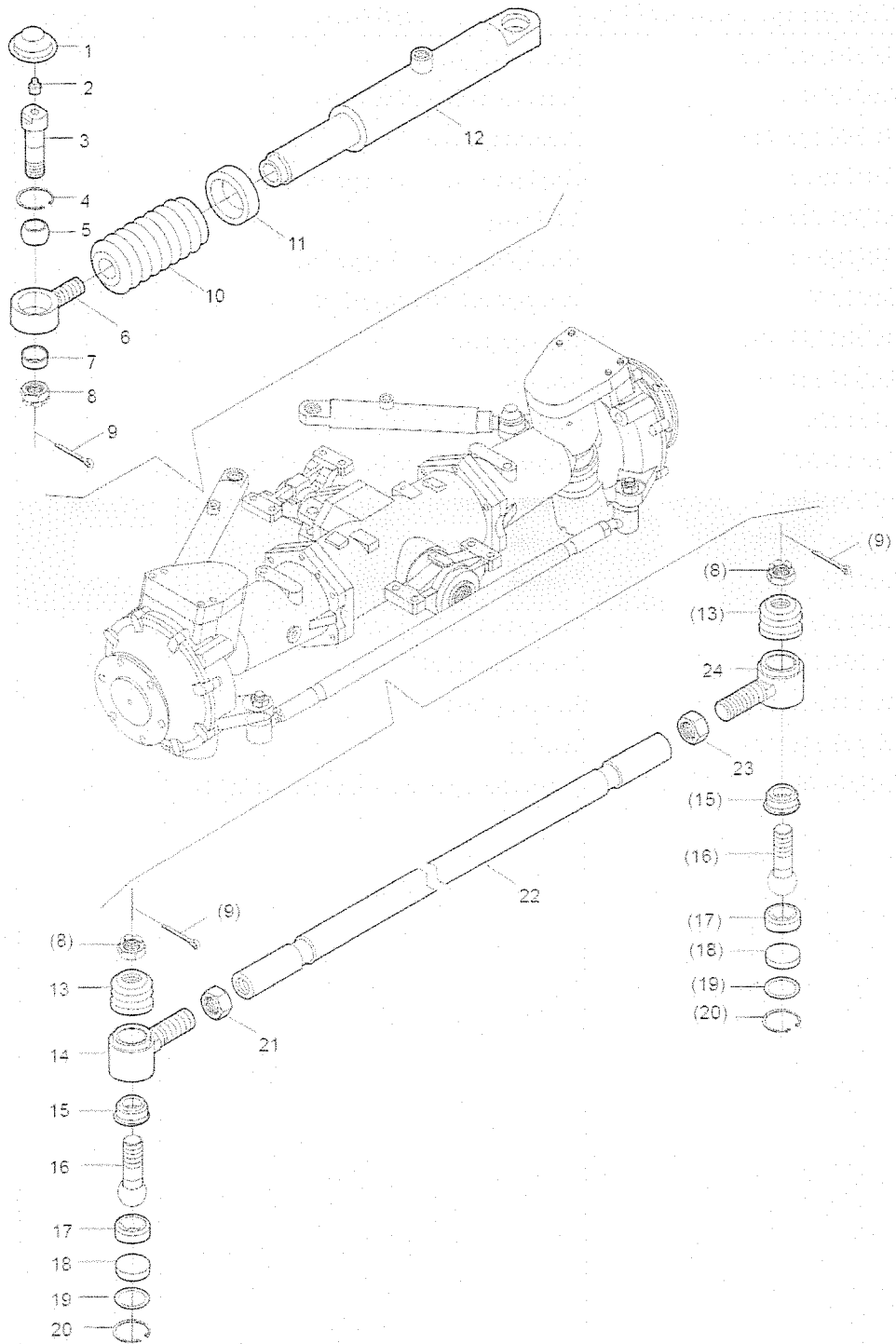
RC504.31.001
Front Driving Axle Assembly (4) Continued



RC504.31.001
Front Driving Axle Assembly (4) Continued

S/N	Code and Specification of Parts	Parts Name	Quantity	Remark
29	RC304.31F.112	Small end gear	1	
30	GB/T276	Annular ball bearing 6308	1	
31	RC304.31F.113	Adjusting shim	2	
32	GB/T893.1	Circlip for hole - A type 90	1	
33	RC304.31F.022	Seal cover	1	
34	GB/T893.1	Circlip for hole - A type 102	1	
35	GB/T276	Annular ball bearing 6210	1	
36	RC304.31F.108	Big end gear	1	
37	RC304.31F.114	Washer	2	
38	GB/T276	Annular ball bearing 6310	1	
39	GB/T3452.1	O-type rubber seal ring 236x5.3G	1	
40	RC304.31F.190	Adjusting shim	Group 1	
41	RC304.31F.107	Big end cover	1	
42	GB/T93	Standard spring washer	8	
43	GB/T5783	Hexagon head bolt-full thread M8x35	8	
44	RC304.31F.117	Front drive shaft	1	
45	RC304.31F.115	Knurling bolt	6	
46	RC204.31F.205	Washer	6	
47	GB/T6176	II type hexagon nut - fine thread M14x1.5	6	

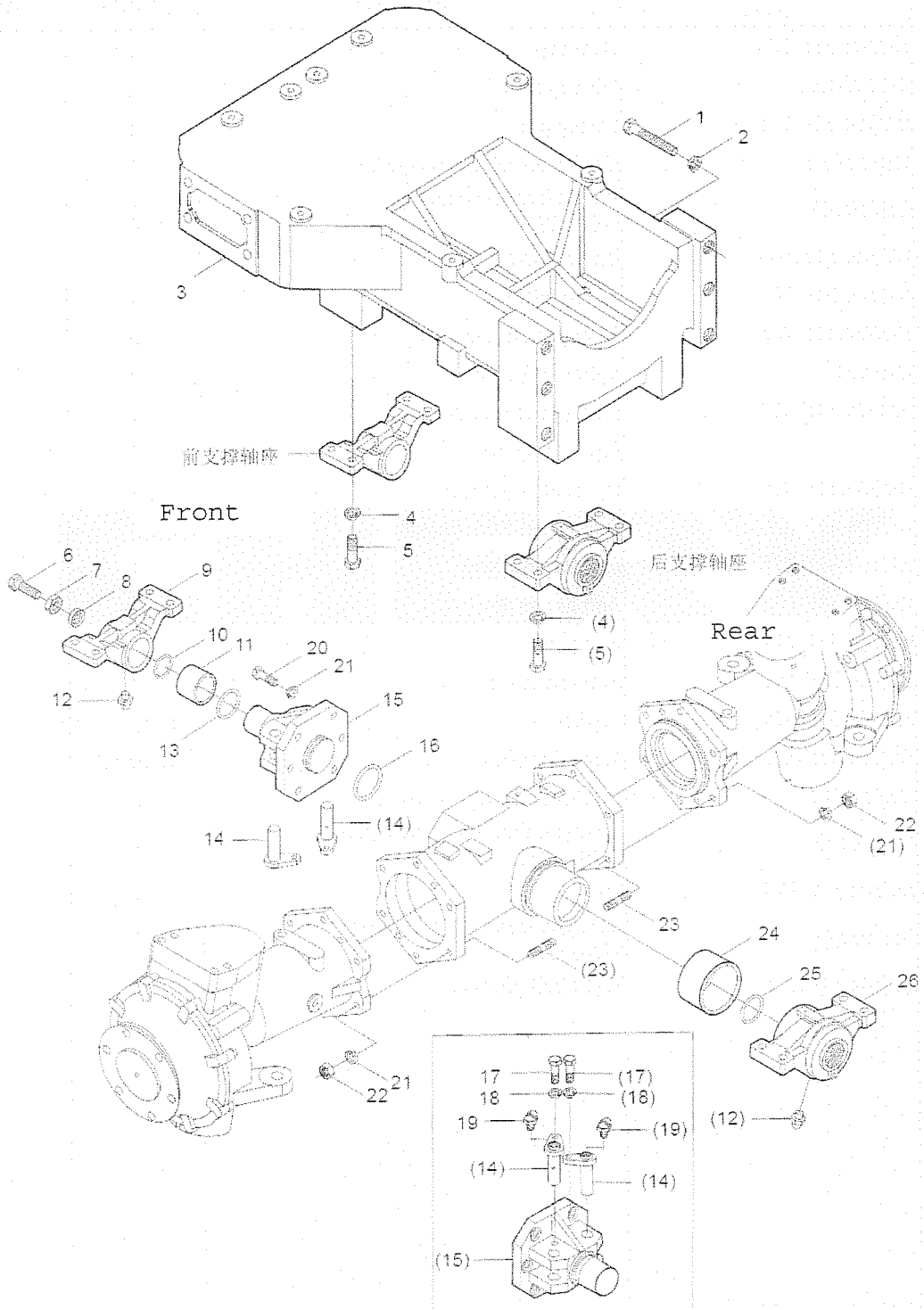
RC504.31.001
Front Driving Axle Assembly (5)



RC504.31.001
Front Driving Axle Assembly (5)

S/N	Code and Specification of Parts	Parts Name	Quantity	Remark
1	RC304.31F.160	Dust cap	1	
2	JB/T7940.1	Oil cup M6x1	1	
3	RC304.31F.165	Fixing pin	1	
4	GB/T893.1	Circlip for hole - A type 35	1	
5	GB/T9163	Radial knuckle bearing GE20ES	1	
6	RC304.31F.166	Piston rod ear ring	1	
7	RC304.31F.167	Spacer sleeve	1	
8	RC304.31F.168	Hexagon slotted nut	3	
9	GB/T91	Split pin 3.2x40	3	
10	RC304.31F.027	Dust proof leather boot	1	
11		Pipe clamp 50	1	
12	RC304.31F.019	Hydraulic cylinder	1	
13	RC304.31F.026	Dust-proof bark pocket	2	
14	RC304.31F.174	Left ball pin seat	1	
15	RC304.31F.178	Ball pin gasket	2	
16	RC304.31F.177	Ball pin	2	
17	RC304.31F.180	Ball pin cover	2	
18	RC304.31F.179	Gasket	2	
19	RC304.31F.183	Adjusting shim	Group 2	
20	GB/T893.1	Circlip for hole - A type 37	2	
21	GB/T6173	Hexagon thin nut - fine thread M20x1.5LH	1	
22	RC304.31F.175	Link	1	
23	GB/T6173	Hexagon thin nut - fine thread M20x1.5	1	
24	RC304.31F.176	Right ball pin seat	1	

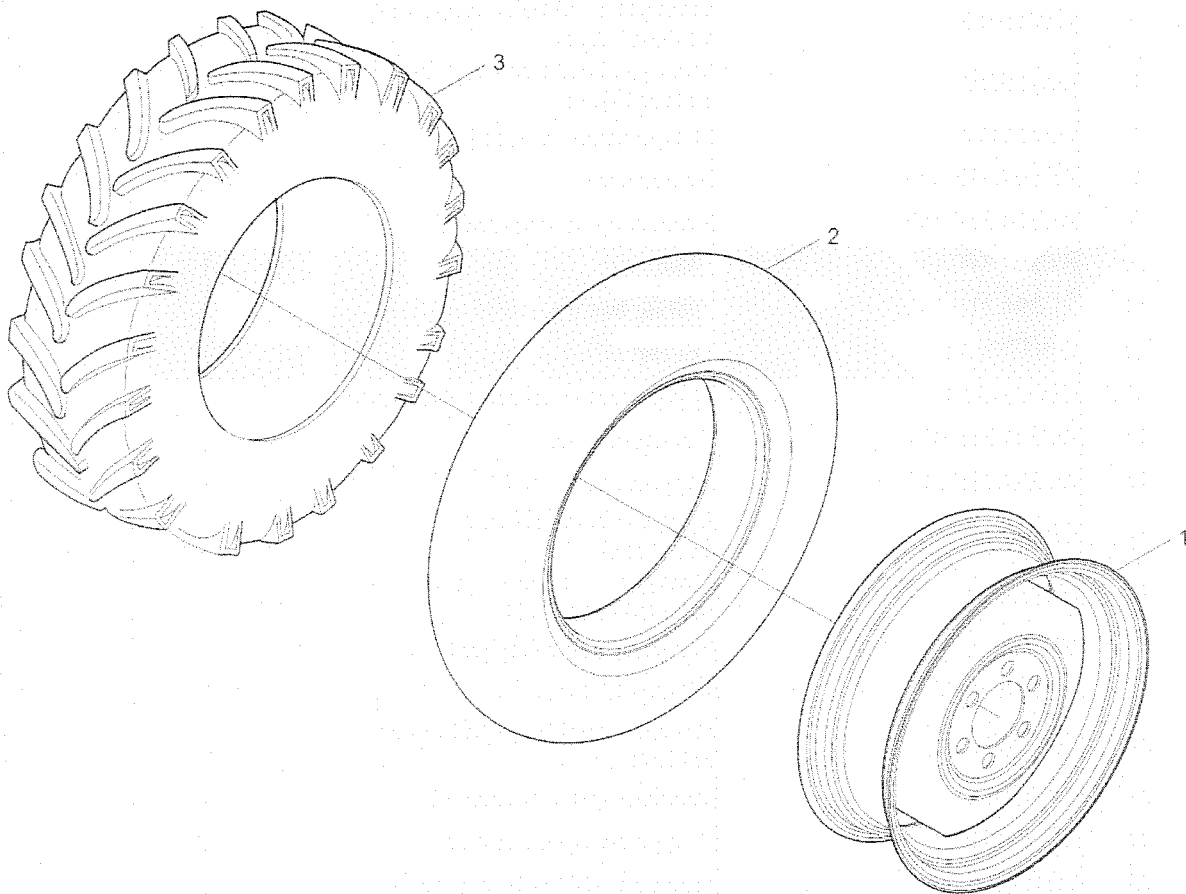
RC504.31.001
Front Driving Axle Assembly (6)



RC504.31.001
Front Driving Axle Assembly (6)

S/N	Code and Specification of Parts	Parts Name	Quantity	Remark
1	GB/T5782	Hexagonal head bolt M16x100-Zn.D	6	
2	GB/T93	Standard spring washer 16	6	
3	RC404.312-01	Bracket	1	
4	GB/T93	Standard spring washer 14	8	
5	GB/T5783	Hexagon head bolt - full thread M14x40-Zn.D	8	
6	GB/T5783	Hexagon head bolt - full thread M16x40-Zn.D	1	
7	GB/T6170	I type hexagon nut M16	1	
8	RC304.31F.025	Sealed shim	1	
9	RC304.31F.149	Front support shaft seat	1	
10	RC304.31F.150	Shim	1	
11	RC304.31F.148	Sliding bearing 50x40	1	
12	GB/T7940.1	Oil cup M8x1	2	
13	GB/T3452.1	O-type rubber seal ring 47.5 x3.55 G	1	
14	RC304.31F.024	Connecting pin	2	
15	RC304.31F.147	Support shaft	1	
16	GB/T3452.1	O-type rubber seal ring 58 x3.55G	1	
17	GB/T5783	Hexagon head bolt - full threadM8x20-Zn.D	2	
18	GB/T93	Standard spring washer 8	2	
19	GB/T7940.2	Oil cup 45°M8x1	2	
20	GB/T5783	Hexagon head bolt - full thread M12x40-Zn.D	6	
21	GB/T93	Standard spring washer 12	18	
22	GB/T6170	I type hexagon nutM12	12	
23	GB/T900	Stud bolt AM12x40-8.8-Zn.D	12	
24	RC304.31F.156	Sliding bearing90x55	1	
25	GB/T3452.1	O-type rubber seal ring 45 x3.55G	1	
26	RC304.31F.155	Rear support shaft seat	1	

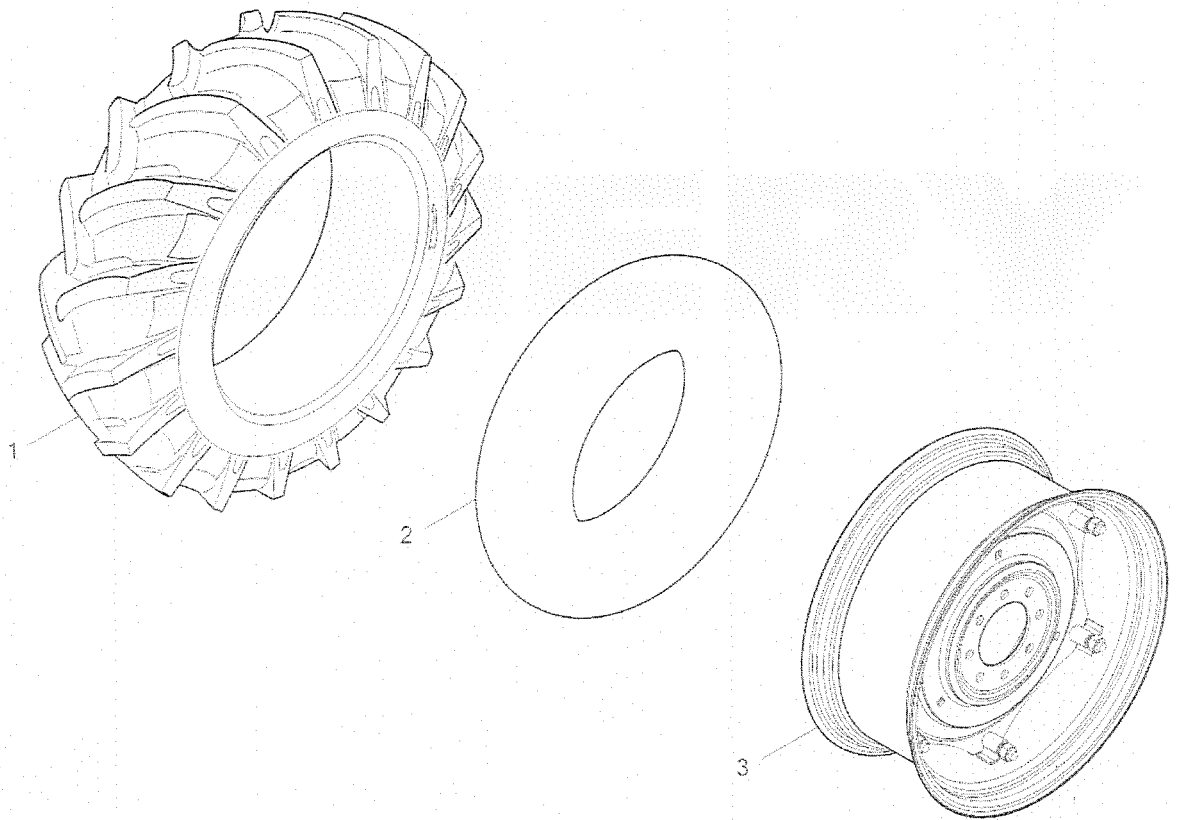
RC404.32.001
Front Wheel Assembly 8.3-20 Tire



RC404.32.001
Front Wheel Assembly 8.3-20 Tire

S/N	Code and Specification of Parts	Parts Name	Quantity	Remark
1	RC404.32.011b	Rim welding-on unit (20xW7)	1	
2	GB/T2979	Inner tire of driving wheel 8.3-20	1	
3	GB/T2979	Outer tire of driving wheel 8.3-20	1	

RC400.34B.001
Rear Wheel Assembly



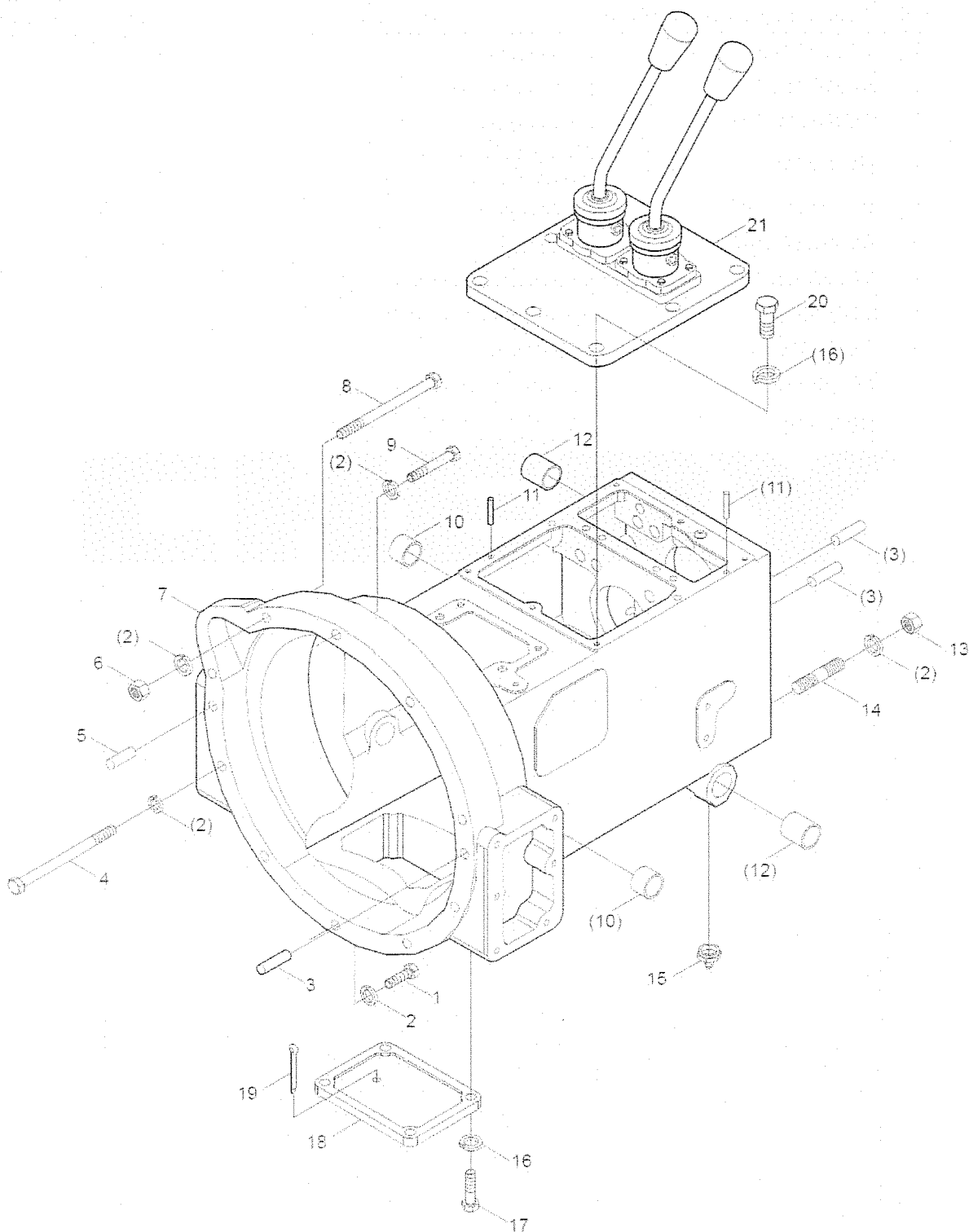
RC400.34B.001
Rear Wheel Assembly

S/N	Code and Specification of Parts	Parts Name	Quantity	Remark
1	GB/T2979-1999	12.4-28 Outer tire of driving wheel	1	8-level
2	GB/T2979-1999	12.4-28 Inner tire of driving wheel	1	herringbone
3	RC400.34.011b	Rim assembly (28xW10)	1	pattern, purchase matched E-mark special and tire cover

RC300.35C.001 Traction Device Assembly

S/N	Code and Specification of Parts	Parts Name	Quantity	Remark
1	RC65.53.103	Elastic lock pin	3	
2	RC300.35C.103	Connecting pin	1	
3	RC300.35C.103	Arresting pin	2	
4	GB/T 5782	Hexagonal head bolt M16X80-A3L	2	
5	RC300.35A.105	Balance pin	1	
6	RC300.35C.102	Swing rod	1	
7	RC300.35A.101	Connection swing rod	1	
8	GB/T 93	Spring washer 16-AOP	10	
9	GB/T 6170	Nut M16-A3L	10	
10	RC300.35C.010	Traction frame welding	1	
11	GB/T 5782	Hexagonal head bolt M16x65-A3L	8	

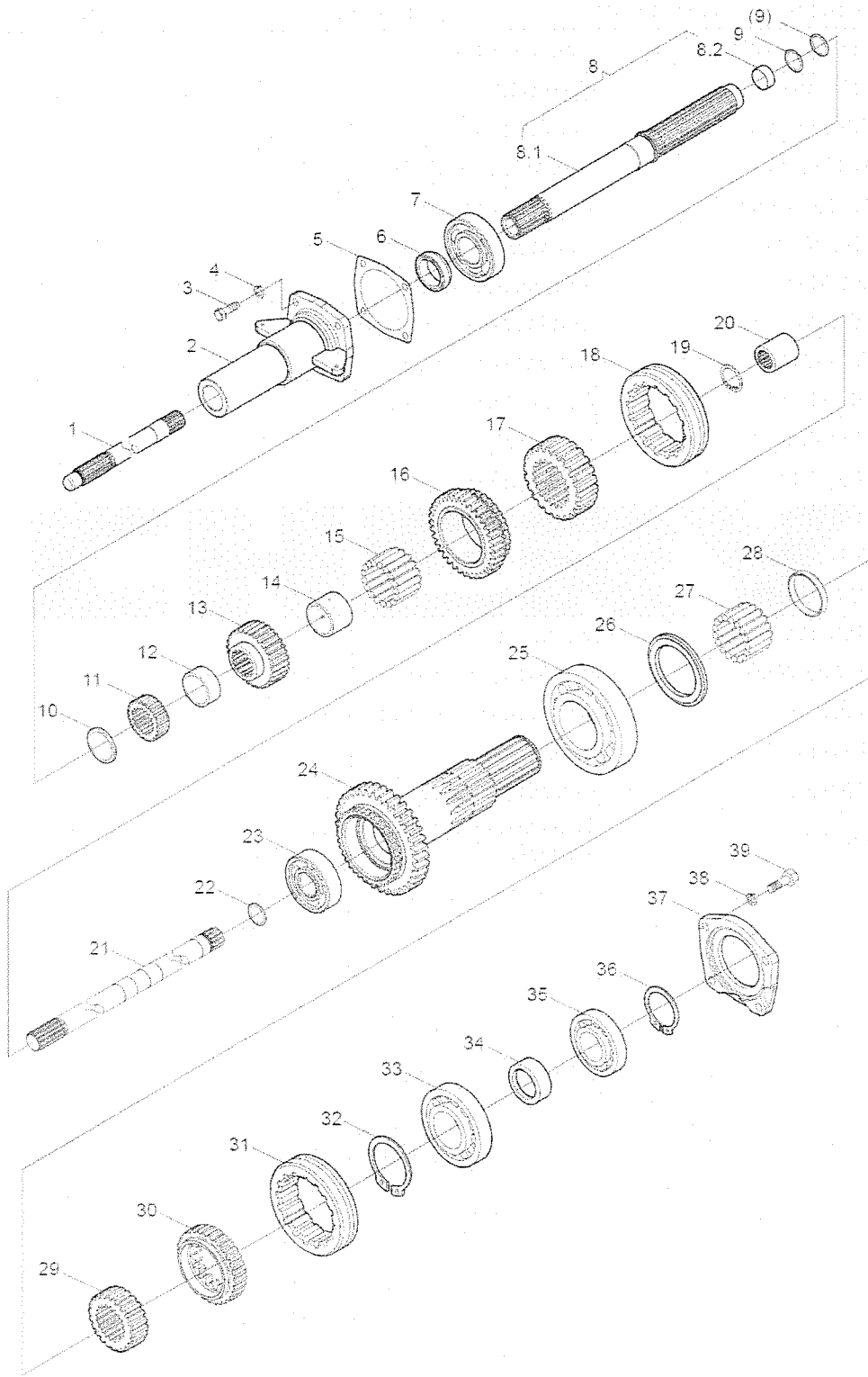
RC550.37PJ.001
Transmission Assembly (1)



RC550.37PJ.001
Transmission Assembly (1)

S/N	Code and Specification of Parts	Parts Name	Quantity	Remark
1	GB/T5783-2000	Bolt M12x40-Zn.D	1	
2	GB/T93-1987	Washer12	20	
3	GB/T119.1-2000	Pin 12m6x30	3	
4	GB/T5782-2000	Bolt M12x110-Zn.D	2	
5	GB/T119.1-2000	Pin 12m6x22	1	
6	GB/T6170-2000	Nut M12-Zn.D	3	
7	RC400.371E-01	Transmission housing	1	
8	GB/T5782-2000	Bolt M12x160-Zn.D	3	
9	GB/T5782-2000	Bolt M12x70-Zn.D	4	
10	RC300.37.159	Release fork shaft sleeve	2	
11	GB/T119.1-2000	Pin 8m6x20	2	
12	RC300.37.158	Pedal shaft sleeve	2	
13	GB/T6171-2000	Nut M12x1.5-Zn.D	10	
14	GB/T899-1988	Stud bolt AM12-M12x1.5x35-8.8-Zn.D	10	
15	JB/T7940.1-1995	Oil cup M10x1	2	
16	GB/T93-1987	Washer 10	10	
17	GB/T5783-2000	Bolt M10x25-Zn.D	4	
18	RC400.371E-03	Observation hole cover plate	1	
19	GB/T91-2000	Pin 6.3x40	1	
20	GB/T5783-2000	Bolt M10x30-Zn.D	6	
21	RC550.37PJ.012	Transmission control mechanism assembly	1	

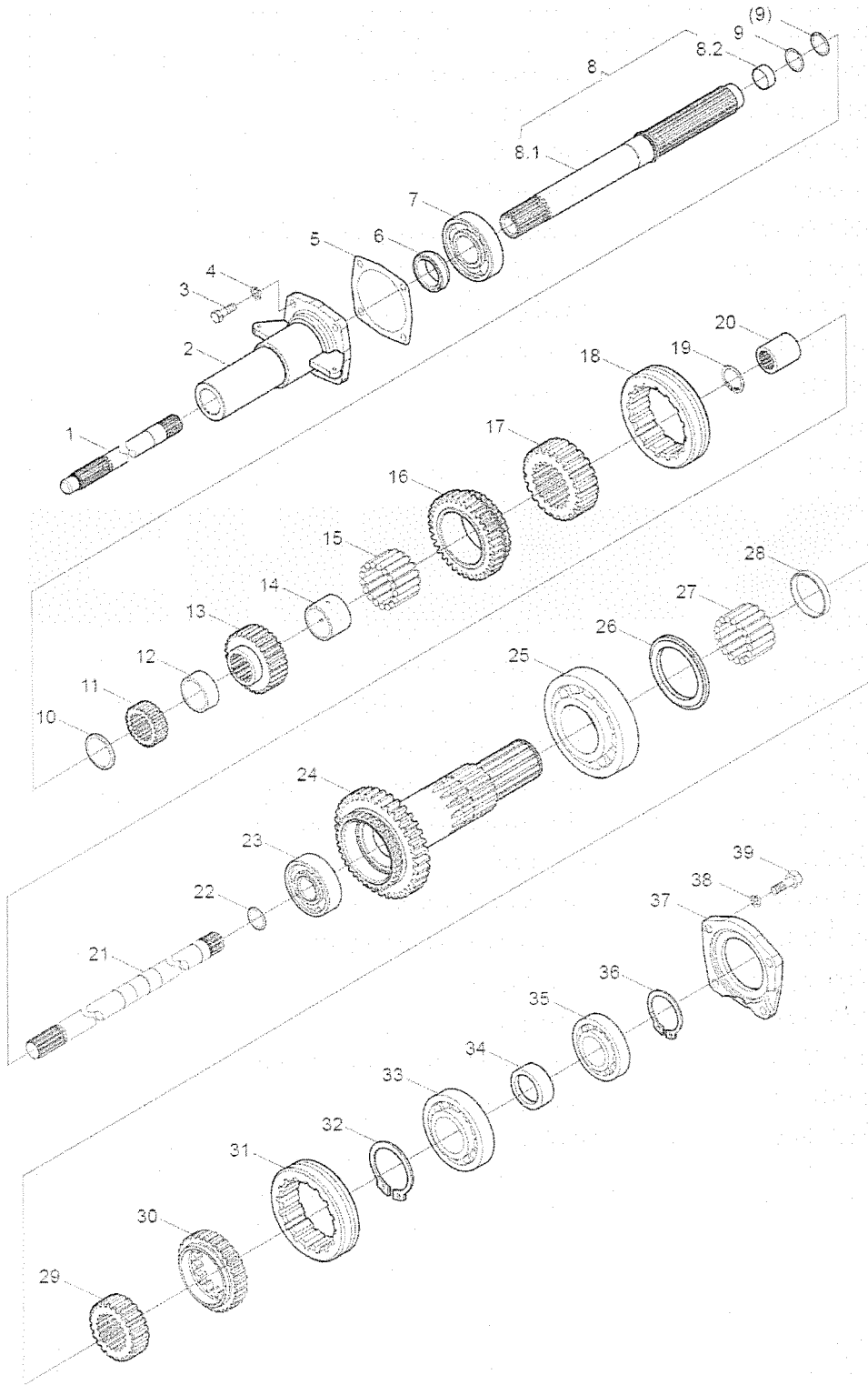
RC550.37PJ.001
Transmission Assembly (2)



RC550.37PJ.001
Transmission Assembly (2)

S/N	Code and Specification of Parts	Parts Name	Quantity	Remark
1	RC400.37B.201	Secondary clutch shaft	1	
2	RC300.37B.124	I shaft bearing cap	1	
3	GB/T5783-2000	Bolt M8x25-Zn.D	4	
4	GB/T93-1987	Washer 8	4	
5	RC300.37B.125	I shaft bearing cap paper cushion	1	
6	GB/T9877.1-1988	Oil seal FB40x62x8D	1	
7	GB/T276-1994	Bearing 6208	1	
8	RC300.37B.021a	I shaft assembly	1	
8.1	RC300.37B.202a	I shaft	1	
8.2	RC300.37.170	Bush	1	
9	GB/T3452.1-1992	O ring 23.6x1.8G	2	
10	RC550.372-18	I -speed gear spacer	1	
11	RC550.372-09a	I -speed gear driving gear	1	
12	RC550.372-19a/b/c/d	I - II -speed gear spacer	1	
13	RC550.372-10	II -speed gear driving gear	1	
14	RC300.37M.130	III-speed gear bushing	1	
15	GB/T5846-1986	Needle bearing K495530	1	
16	RC550.372-11a	III-speed driving gear	1	
17	RC550.372-13	III-IV-speed meshing tooth holder	1	
18	RC550.372-14a	III-IV-speed meshing bushing	1	
19	GB/T893.1-1986	Snap ring 21	1	
20	RC300.37.136	Connecting bushing	1	
21	RC300.37J.137	Power output connecting shaft	1	
22	GB/T895.2-1986	Snap ring 24	1	
23	GB/T276-1994	Bearing 6007	1	
24	RC550.373-01c	Auxiliary transmission driving gear shaft	1	
25	GB/T283-1994	Bearing NUP210E	1	
26	RC550.373-02	Washer	1	

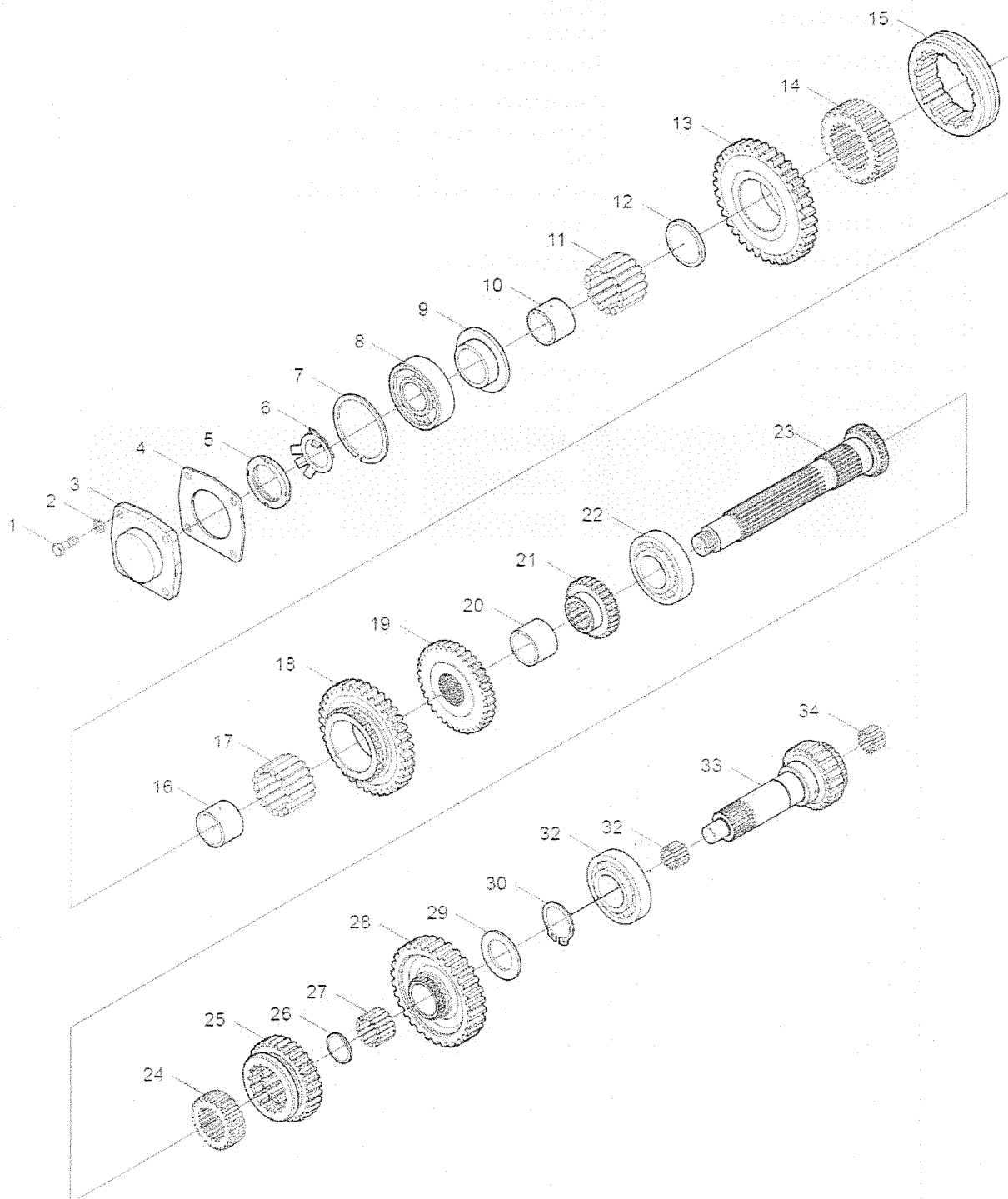
RC550.37PJ.001
Transmission Assembly (2) Continued



RC550.37PJ.001
Transmission Assembly (2) Continued

S/N	Code and Specification of Parts	Parts Name	Quantity	Remark
27	GB/T5846-1986	Needle bearing K505530	1	
28	RC550.373-04a	Spacer sleeve	1	
29	RC550.373-03b	Intermediate-speed driving gear	1	
30	RC550.373-05b	Intermediate-speed meshing tooth holder	1	
31	RC550.373-06a	Intermediate-speed meshing bushing	1	
32	GB/T894.1-1986	Snap ring 50	1	
33	GB/T283-1994	Bearing NUP308E	1	
34	RC300.37J.108	Spacer sleeve	1	
35	GB/T283-1994	Bearing NF208	1	
36	GB/T894.1-1986	Snap ring 40	1	
37	RC300.37.139	Auxiliary transmission bearing cap	1	
38	GB/T93-1987	Washer 10	4	
39	GB/T5783-2000	Bolt M10x30-Zn.D	4	

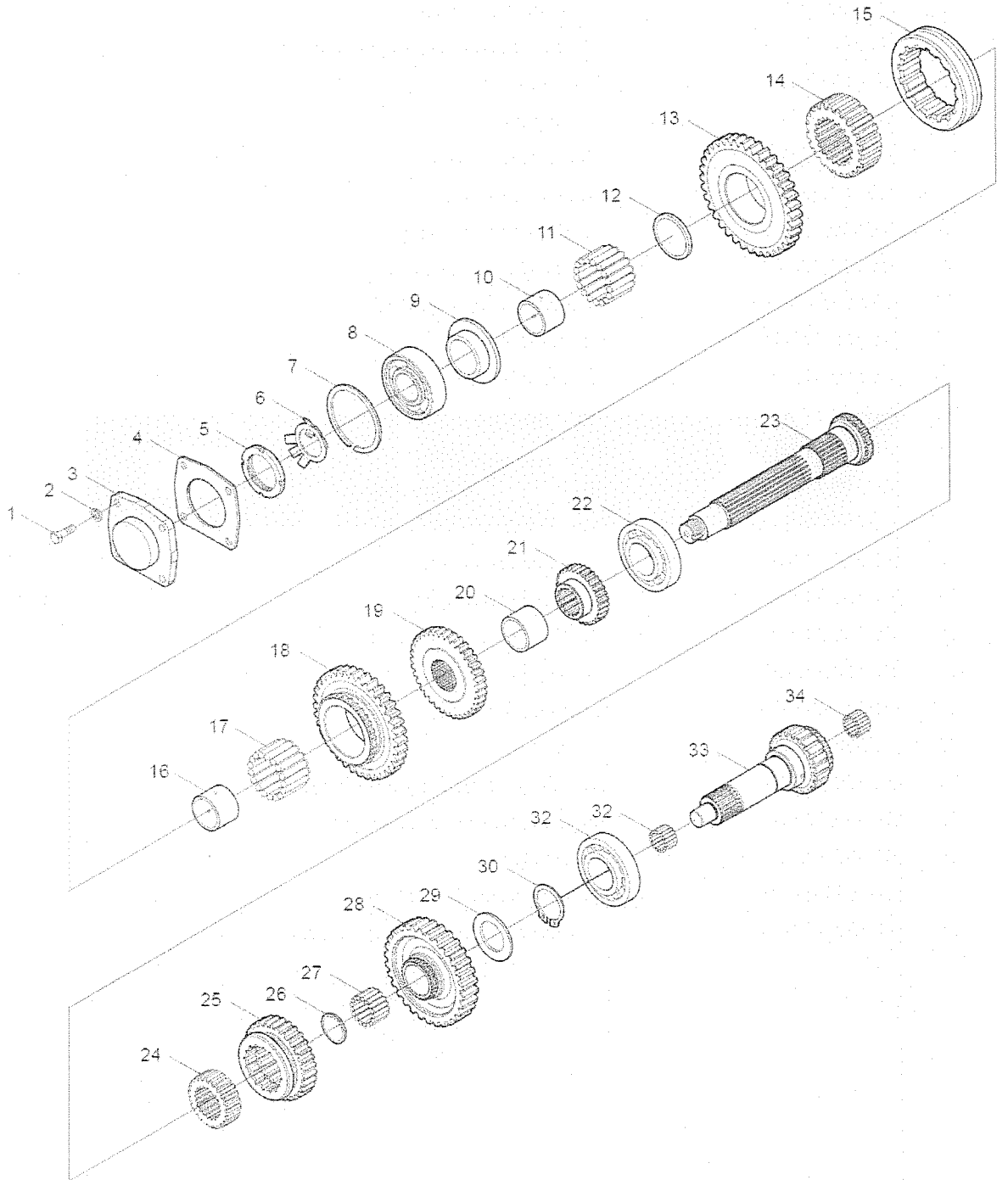
RC550.37PJ.001
Transmission Assembly (3)



RC550.37PJ.001 Transmission Assembly (3)

S/N	Code and Specification of Parts	Parts Name	Quantity	Remark
1	GB/T5783-2000	Bolt M8x25-Zn.D	4	
2	GB/T93-1987	Washer 8	4	
3	RC300.37.120	II-shaft bearing cap	1	
4	RC300.37.119	II-shaft bearing cap paper cushion	1	
5	GB/T812-1988	Nut M24x1.5	1	
6	GB/T858-1988	Washer 24	1	
7	GB/T305-1998	Check ring 72/78.6	1	
8	GB/T276-1994	Bearing 6306N	1	
9	RC550.372-08	II-shaft end snap ring	1	
10	RC550.372-07	I-speed gear bushing	1	
11	GB/T5846-1986	Needle bearing K424935.5	1	
12	RC550.372-15	Spacer sleeve	1	
13	RC550.372-06	I-speed driven gear	1	
14	RC300.37M.116	I-II-speed meshing tooth holder	1	
15	RC300.41C.116	PTO engaging sleeve	1	
16	RC300.37M.114	I-II-speed gear bushing	1	
17	GB/T5846-1986	Needle bearing K434930	1	
18	RC550.372-04	II-speed driven gear	1	
19	RC550.372-03	III-speed driven gear	1	
20	RC300.37.110	III-IV-speed gear spacer	1	
21	RC550.372-01	IV-speed driven gear	1	
22	GB/T283-1994	Bearing NUP208E	1	
23	RC550.372-02	II-shaft	1	
24	RC550.373-09	Reverse gear meshing tooth holder	1	
25	RC550.373-08	Intermediate-speed driven gear	1	
26	RC300.37.111	Spacer sleeve	1	
27	GB/T5846-1986	Needle bearing KK354334	1	
28	RC450.37.103	Auxiliary transmission driven gear	1	

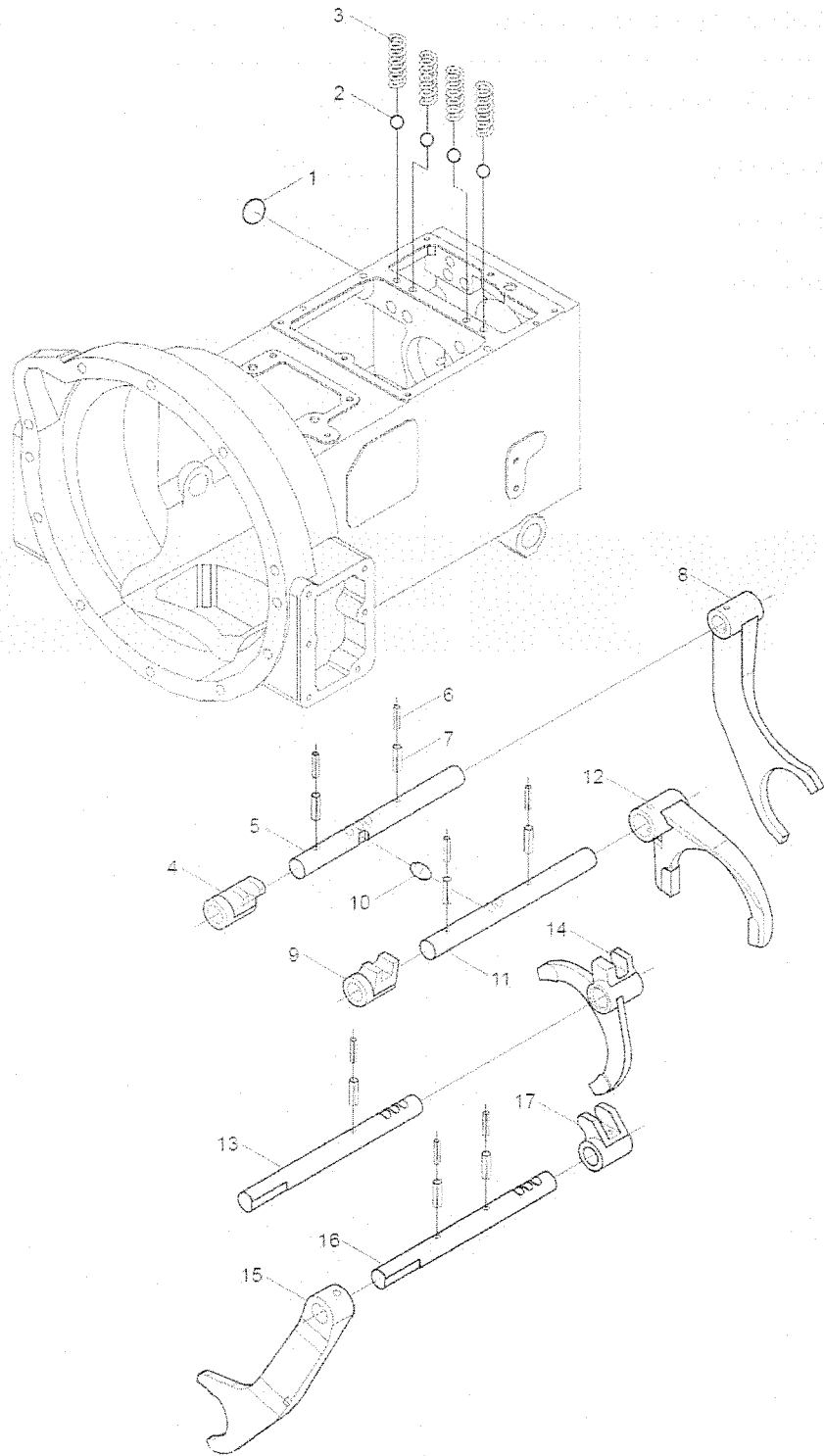
RC550.37PJ.001
Transmission Assembly (3) Continued



RC550.37PJ.001
Transmission Assembly (3) Continued

S/N	Code and Specification of Parts	Parts Name	Quantity	Remark
29	RC300.38J.202a/b/c/d/e/f/g/h/i	Adjusting shim	1	
30	GB/T894.1-1986	Snap ring 35	1	
31	GB/T283-1994	Bearing NUP307E	1	
32	GB/T5846-1986	Needle bearing K222820	1	
33	RC550.373-10	Auxiliary transmission driven shaft	1	
34	GB/T5846-1986	Needle bearing K253120	1	

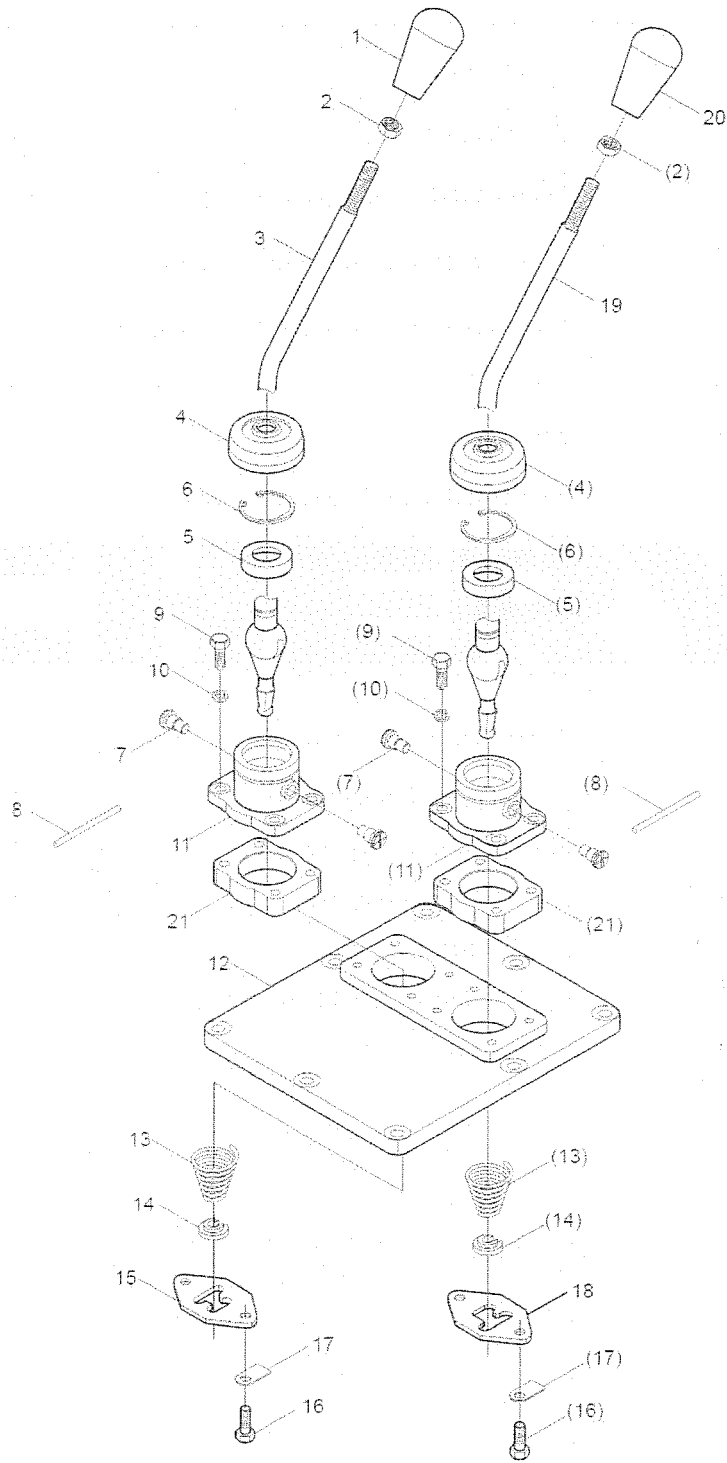
RC550.37PJ.001
Transmission Assembly (4)



RC550.37PJ.001 Transmission Assembly (4)

S/N	Code and Specification of Parts	Parts Name	Quantity	Remark
1	QC/T387-1999	Patch 14-Zn.D	1	
2	GB/T308-1989	Steel ball 8 G100b	4	
3	RC300.37.135	Shifting fork shaft locating spring	4	
4	RC300.37.154	Auxiliary transmission shifting block	1	
5	RC300.37.156	Auxiliary transmission shifting fork shaft	1	
6	GB/T879.1-2000	Pin 3x24	7	
7	GB/T879.1-2000	Pin 5x24	7	
8	RC550.374-03a	Shifter fork for high and low speed	1	
9	RC300.37.153	Reverse gear shifting block	1	
10	RC300.37.151	Interlock pin	1	
11	RC550.374-05	Intermediate-speed shifting fork shaft	1	
12	RC550.374-04a	Intermediate-speed shifting fork	1	
13	RC300.37.150	III-IV-speed shifting fork shaft	1	
14	RC550.374-02	III-IV-speed shifting fork	1	
15	RC300.37M.148	I - II -speed shifting fork	1	
16	RC550.374-01	I - II shift fork shaft	1	
17	RC300.37.152	I - II -speed shifting block	1	

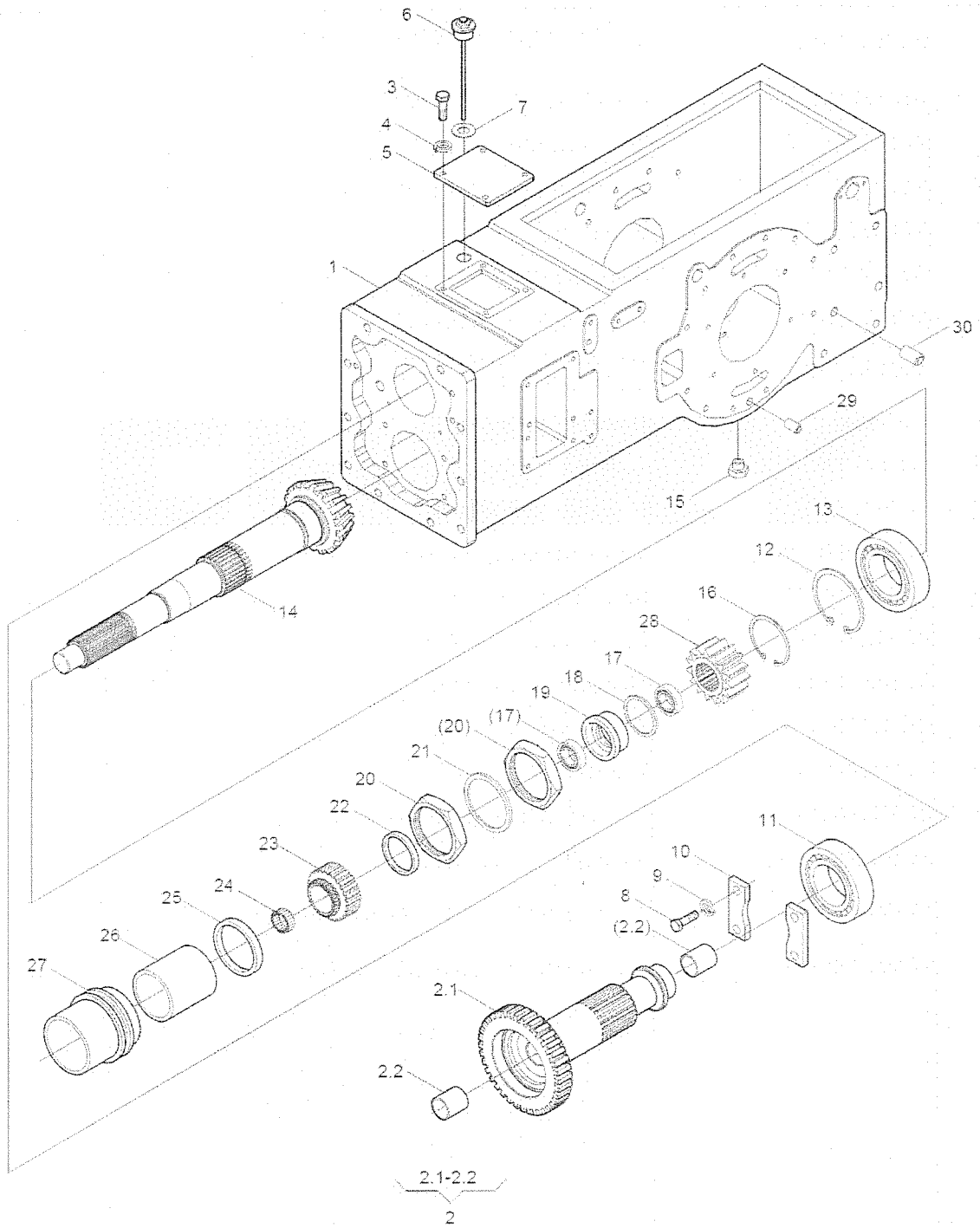
RC550.37PJ.012
Transmission Control Mechanism Assembly



RC550.37PJ.012 Transmission Control Mechanism Assembly

S/N	Code and specification of parts	Parts Name	Quantity	Remark
1	RC300.37.015A	Main shifting control handle assembly	1	
2	GB/T6172.1-2000	Nut M10-Zn.D	2	
3	RC500.37P.167B	Main gear shift lever	1	
4	RC300.37.166a	Gear shift lever dust proof cover	2	
5	RC800.37.178	Nylon seat	2	
6	GB/T893.1-1986	Snap ring 40	2	
7	RC800.37.179	Gear shift lever locating pin	4	
8	YB/T5032-1993	Galvanized steel wire+B181 Zd1.4U+00D7250	2	
9	GB/T5783-2000	Bolt M8x20-Zn.D	8	
10	GB/T93-1987	Washer 8	8	
11	RC300.37.180	Gear shift lever support	2	
12	RC400.374E-01	Transmission upper cover	1	
13	RC500.37P.165	Stick shift spring	2	
14	RC300.37.164	Spring circlip, stick shift	2	
15	RC300.37.162	Main shifting guide rod	1	
16	GB/T5783-2000	Bolt M8x16-Zn.D	4	
17	GB/T854-1988	Washer 8	4	
18	RC550.374.1-01	Auxiliary shifting guide rod	1	
19	RC500.37P.160B	Auxiliary gear shift lever	1	
20	RC300.37.016A	Auxiliary shifting control handle assembly	1	
21	RC500.37P.200	Gear shift lever support cushion block	2	

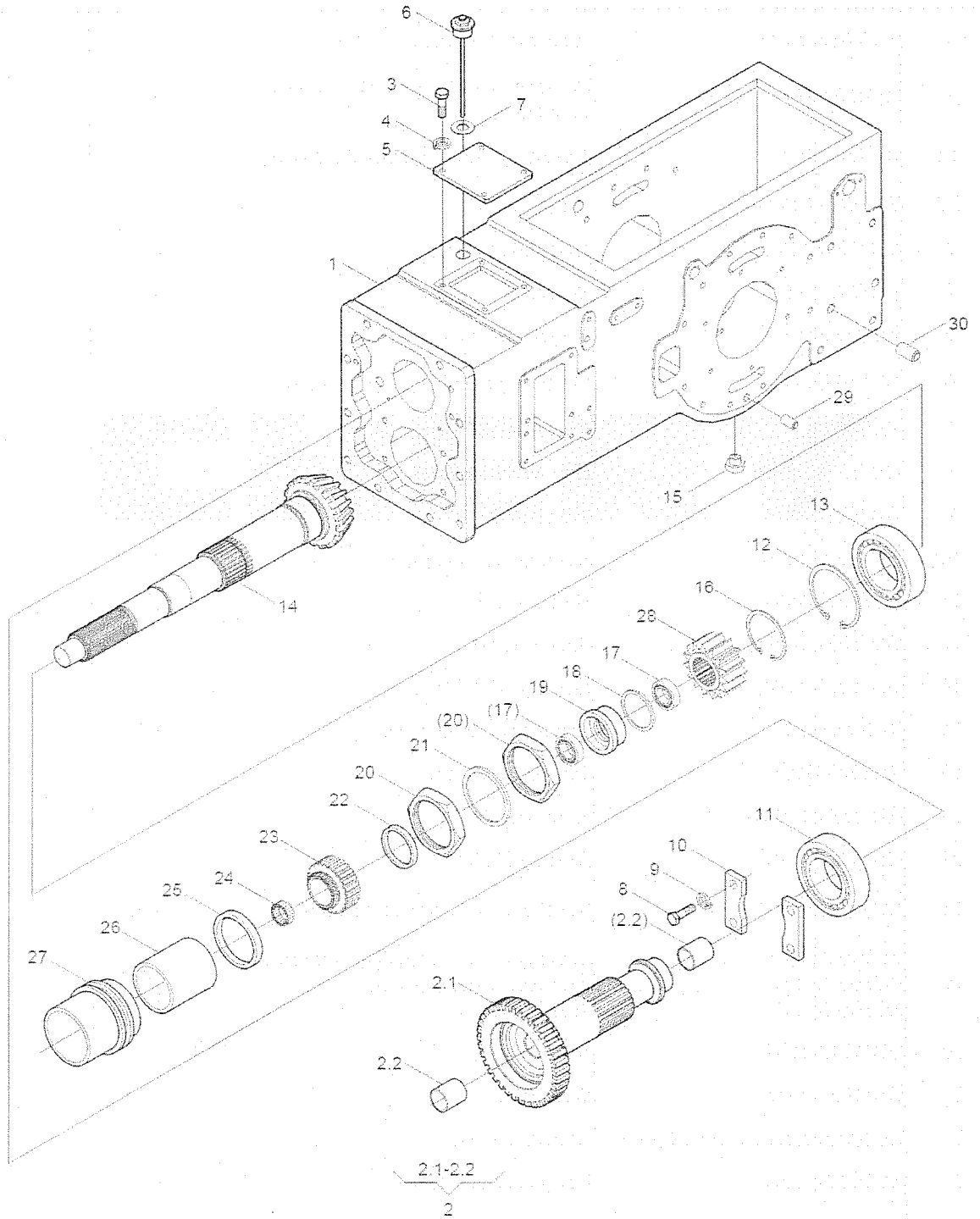
RC454.38PJ.001
Axle Assembly (1)



RC454.38PJ.001
Axle Assembly (1)

S/N	Code and Specification of Parts	Parts Name	Quantity	Remark
1	RC300.38J.011	Rear axle housing assembly	1	
2	RC450.38J.1	Reverse-position intermediate shaft assembly	1	
2.1	RC450.38J.1-01	Reverse-position intermediate shaft	1	
2.2	RC300.37.170	Bush	2	
3	GB/T5783-2000	Bolt M8x20-Zn.D	4	
4	GB/T93-1987	Washer 8	8	
5	RC300.38J.124	Upper cap	1	
6	RC550#38#016	Oil filling breather plug assembly	1	
7	JB/T982-1977	Combination washer 36	1	
8	GB/T5783-2000	Bolt M10x30-Zn.D	8	
9	GB/T93-1987	Washer 10	28	
10	RC300.38J.204	Bearing pressing plate	2	
11	GB/T283-1994	BearingNJ208E	1	
12	GB/T894.1-1986	Snap ring 50	1	
13	GB/T283-1994	Bearing NUP2210E	1	
14	RC300.38J.115	Small bevel pinion shaft	1	
15	RC65#38#026	Oil plug assembly	1	
16	GB/T894.1-1986	Snap ring 48	1	
17	GB/T297-1994	Bearing 32208	2	
18	RC300#38#118	Bevel gear shaft adjusting shim	as needed	
19	RC300.38.119 RC300.38.120 RC300.38.117	Bevel gear shaft adjusting shim Bevel gear shaft adjusting shim Bearing seat	as needed 1	
20	GB/T812-1988	Nut M39x1.5	2	
21	GB/T858-1988	Washer 39	1	
22	RC300.38J.202a/b/c/d/e/f/g/h/i	Adjusting shim	1	
23	RC300.38J.201	Reverse driven gear	1	
24	GB/T5846-1986	Needle bearing KK354334	1	

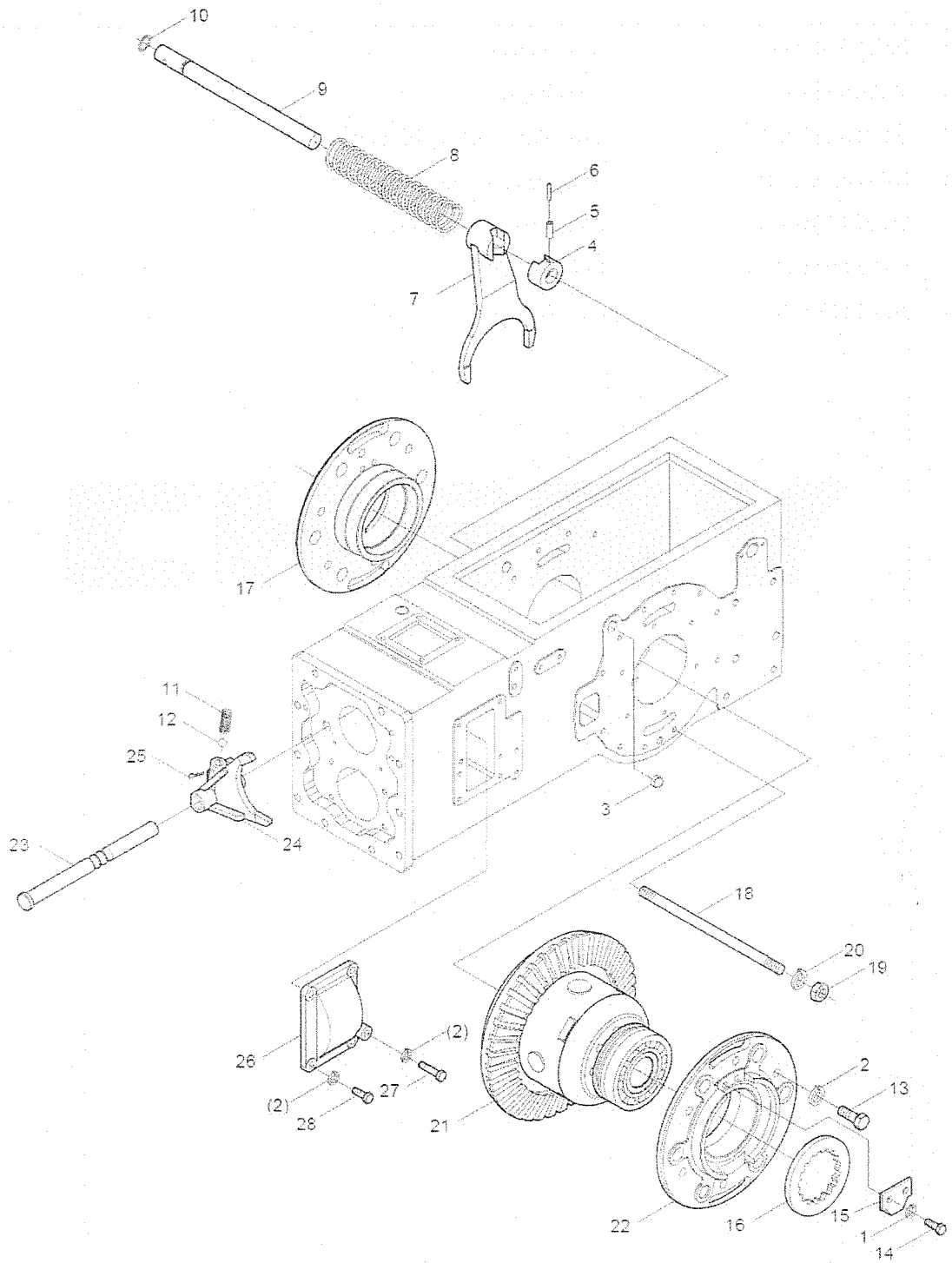
RC454.38PJ.001
Rear Axle Assembly (1) Continued



RC454.38PJ.001
Rear Axle Assembly (1) Continued

S/N	Code and Specification of Parts	Parts Name	Quantity	Remark
25	RC300.37.111	Spacer sleeve	1	
26	RC300.38J.122	Meshing seat	1	
27	RC300.38J.123	Gear shift meshing bushing	1	
28	RC404.38G.116	Front driving output gear	1	
	RC304.38G.116	Front driving output gear	1	
29	GB/T119.1-2000	Pin 12m6x28	2	
30	GB/T119.1-2000	Pin 14m6x30	4	

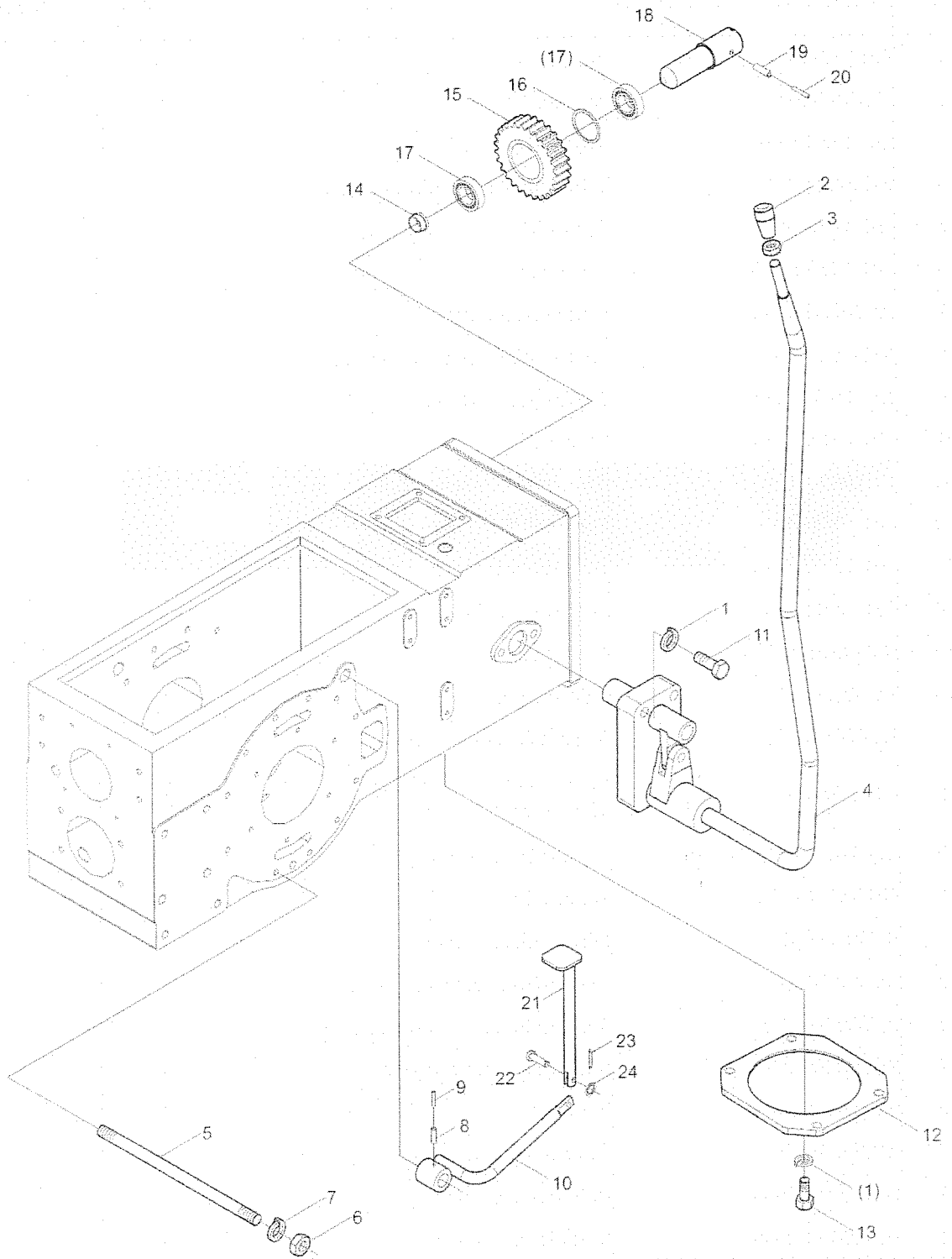
RC454.38PJ 001
Rear Axle Assembly (2)



RC454.38PJ 001 Rear Axle Assembly (2)

S/N	Code and Specification of Parts	Parts Name	Quantity	Remark
1	GB/T93-1987	Washer 8	8	
2	GB/T93-1987	Washer 10	28	
3	QC/T388-1999	U-shaped patch 20	1	
4	RC300.38.190	Differential lock shifting block	1	
5	GB/T879.1-2000	Pin 6x40	1	
6	GB/T879.2-2000	Pin 3.5x40	1	
7	RC300.38.159a	Differential fork	1	
8	RC300.38.160	Differential lock return spring	1	
9	RC300.38.158a	Differential fork shaft	1	
10	GB/T3452.1-1992	O ring 15x2.65G	1	
11	RC300.41.123	Shifting fork shaft locating spring	1	
12	GB/T308-1989	Steel ball 9.5 G100b	1	
13	GB/T5783-2000	Bolt M10x25-Zn.D	17	
14	GB/T5783-2000	Bolt M8x12-Zn.D	4	
15	RC300.38.161	Lock plate	2	
16	RC300.38.151	Adjusting nut	2	
17	RC300.38.177	Right differential bearing seat	1	
18	GB/T899-1988	Stud bolt AM12-M12x 1.25 x 150-8.8-Zn.D	24	
19	GB/T6171-2000	Nut M12x1.25-Zn.D	24	
20	GB/T93-1987	Washer 12	24	
21	RC300.38.012A	Differential assembly	1	
22	RC300.38.142	Left differential bearing seat	1	
23	RC300.38J.203	Shifting fork shaft, reverse gear	1	
24	RC300.38J.218	Shifter fork, reverse gear	1	
25	GB/T91-2000	Pin 4x32	1	
26	RC300.38J.206	Reverse gear side cover	1	
27	GB/T5782-2000	Bolt M10x60-Zn.D	1	
28	GB/T5783-2000	Bolt M10x25-Zn.D	21	

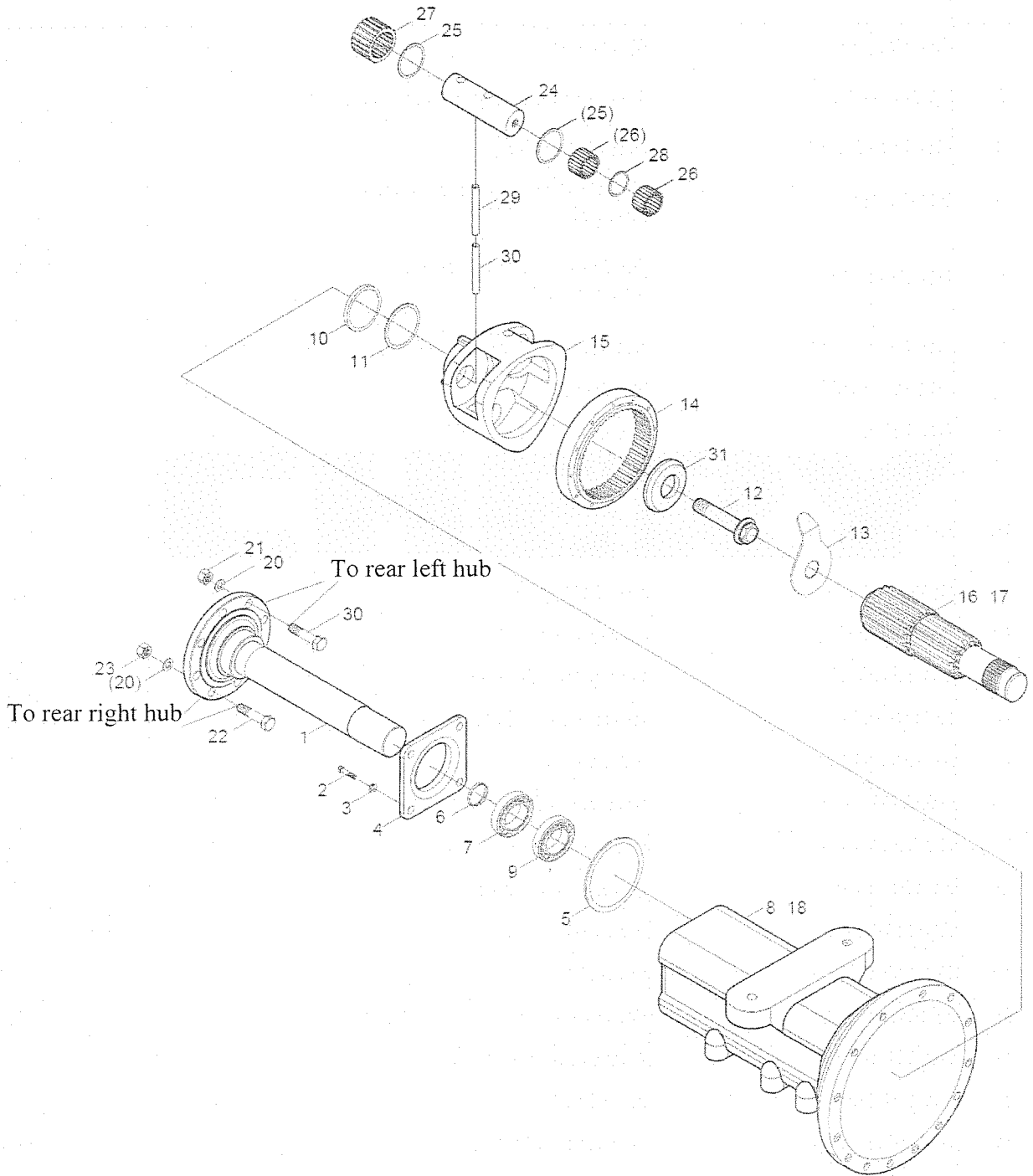
RC454.38PJ .001
Rear Axle Assembly (3)



RC454.38PJ .001
Rear Axle Assembly (3)

S/N	Code and Specification of Parts	Parts Name	Quantity	Remark
1	GB/T93-1987	Washer 10	28	
2	RC300.41.015A	Power output control handle assembly	1	
3	GB/T6170-2000	Nut M10-Zn.D	1	
4	RC554.385P	Shuttle-type shifting mechanism assembly	1	
5	GB/T899-1988	Stud bolt AM12-M12x 1.25 x 150-8.8-Zn.D	24	
6	GB/T6171-2000	nut M12x1.25-Zn.D	24	
7	GB/T93-1987	Washer 12	24	
8	GB/T879.1-2000	Pin 6x35	1	
9	GB/T879.2-2000	Pin 3.5x35	1	
10	RC500.38P.016	Differential lock pedal rocker arm welding	1	
11	RC400.385-09	Bolt M10x1x30	2	
12	RC300.38.175	Lower cover	1	
13	GB/T5783-2000	Bolt M10x25-Zn.D	16	
14	RC450.38J-08	Reverse idler shaft spacer	1	
15	RC450.38J-06	Reverse idler	1	
16	GB/T893.1-1986	Snap ring 62	1	
17	GB/T283-1994	BearingNJ206E	2	
18	RC450.38J-07	Reverse idler shaft	1	
19	GB/T879.1-2000	Pin 8x30	1	
20	GB/T879.1-2000	Pin 5x30	1	
21	RC500.38P.015	Pedal welding	1	
22	GB/T882-2000	Axis pin B8x24-Zn.D	1	
23	GB/T91-2000	Pin 3.2x22	1	
24	GB/T97.1-2002	Washer 8-200HV-Zn.D	1	

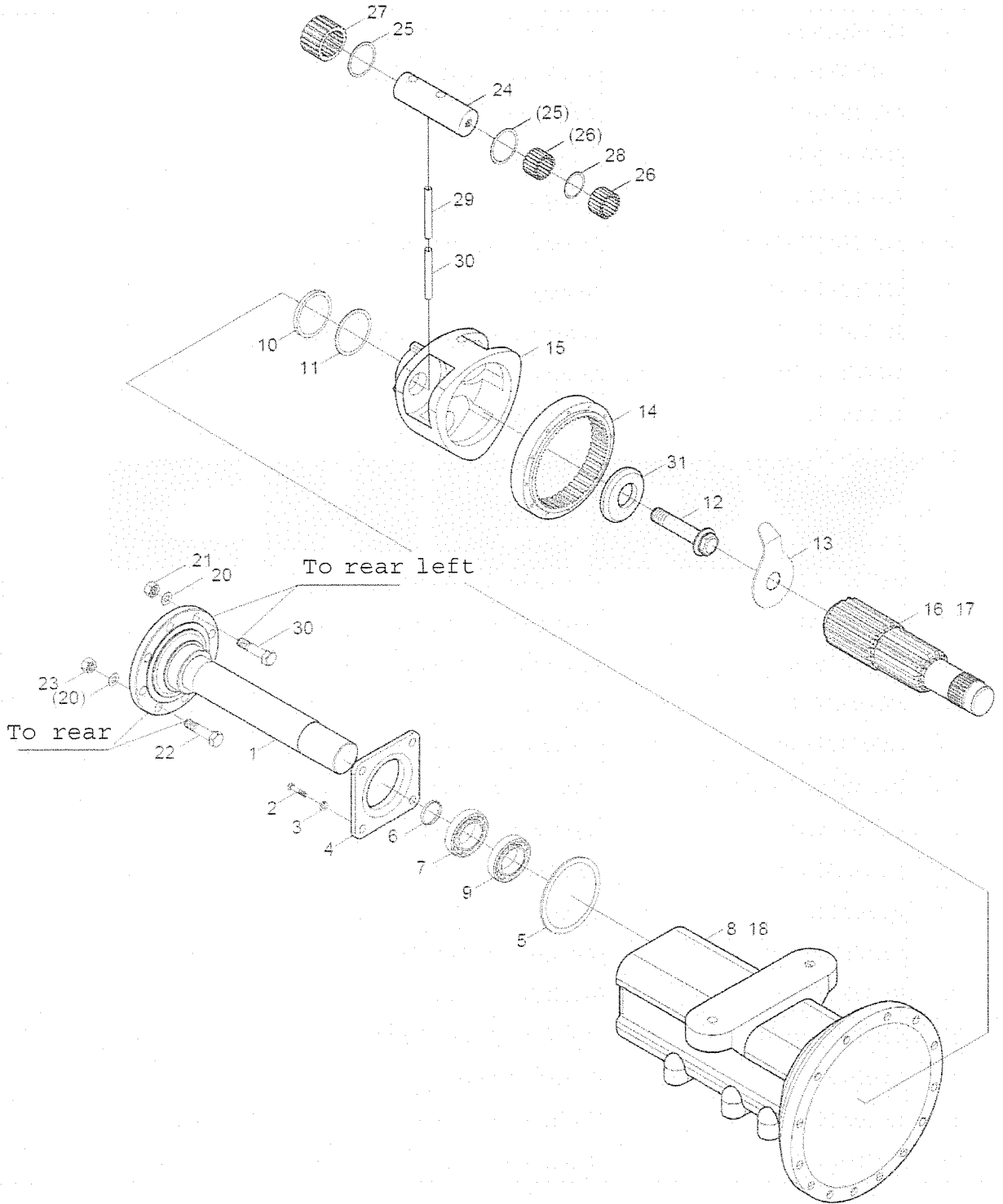
RC450.39.001
Final Drive Assembly



RC450.39.001 Final Drive Assembly

S/N	Code and Specification of Parts	Parts Name	Quantity	Remark
1	RC300.39.118	Drive shaft	2	
2	GB/T5783-2000	Bolt M12x30-Zn.D	8	
3	GB/T93-1987	Washer 12	8	
4	RC300.39.116	Oil seal seat	2	
5	GB/T3452.1-1992	O-ring 115x3.55	2	
6	GB/T9877.1-1988	Frame oil seal FB70x95x 10D	4	
7	GB/T276-1994	Bearing 6212	2	
8	RC300.39.115	Left driving shaft housing	1	
9	GB/T276-1994	Bearing 6211	2	
10	RC300.39.113	Spacer sleeve	2	
11	RC300.39.121	Adjusting shim	as needed	
	RC300.39.122	Adjusting shim	as needed	
	RC300.39.123	Adjusting shim	as needed	
12	RC300.39.112	Driving shaft lock bolt	2	
13	RC300.39.110	Driving shaft lock plate	2	
14	RC450.391-02	Final driving gear ring	2	
15	RC300.39.104	Planet carrier	2	
16	RC450.391-01	Left final drive axle shaft	1	
17	RC450.392-01	Right final drive axle shaft	1	
18	RC300.39.114	Right drive shaft housing	1	
19	RC300.39.135	Rear hub bolt	8	
20	RC300.39.137	Washer	16	
21	GB/T6176-2000	Nut M16x1.5-12-Zn.D	8	
22	RC300.39.136	Rear hub bolt (left)	8	
23	GB/T6176-2000	Nut M16x1.5-left-12-Zn.D	8	
24	RC300.39.106	Planet wheel shaft	6	
25	RC300.39.109	Needle outer spacer	12	
26	GB/T309-2000	Needle 5x23.8 G2 -2-4	22x2x3	

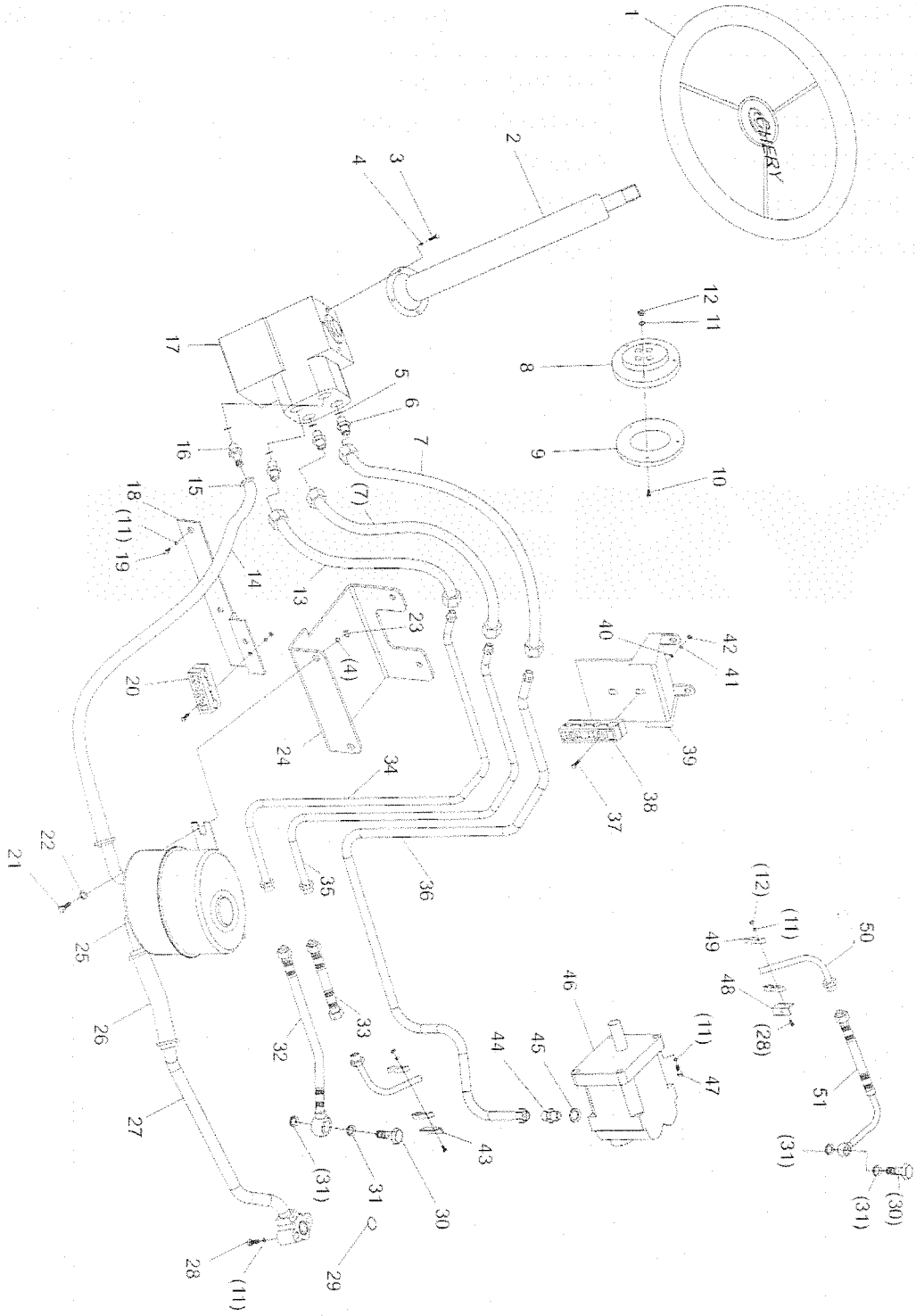
RC450.39.001
Final Drive Assembly Continued



RC450.39.001
Final Drive Assembly Continued

S/N	Code and Specification of Parts	Parts Name	Quantity	Remark
27	RC450.391.1-01	Final drive planet gear	6	
28	RC300.39.105	Needle roller inner spacer	6	
29	GB/T879.1-2000	Pin 8x26	6	
30	GB/T879.1-2000	Pin 5x26	6	
31	RC300.39.111	Stop block	6	

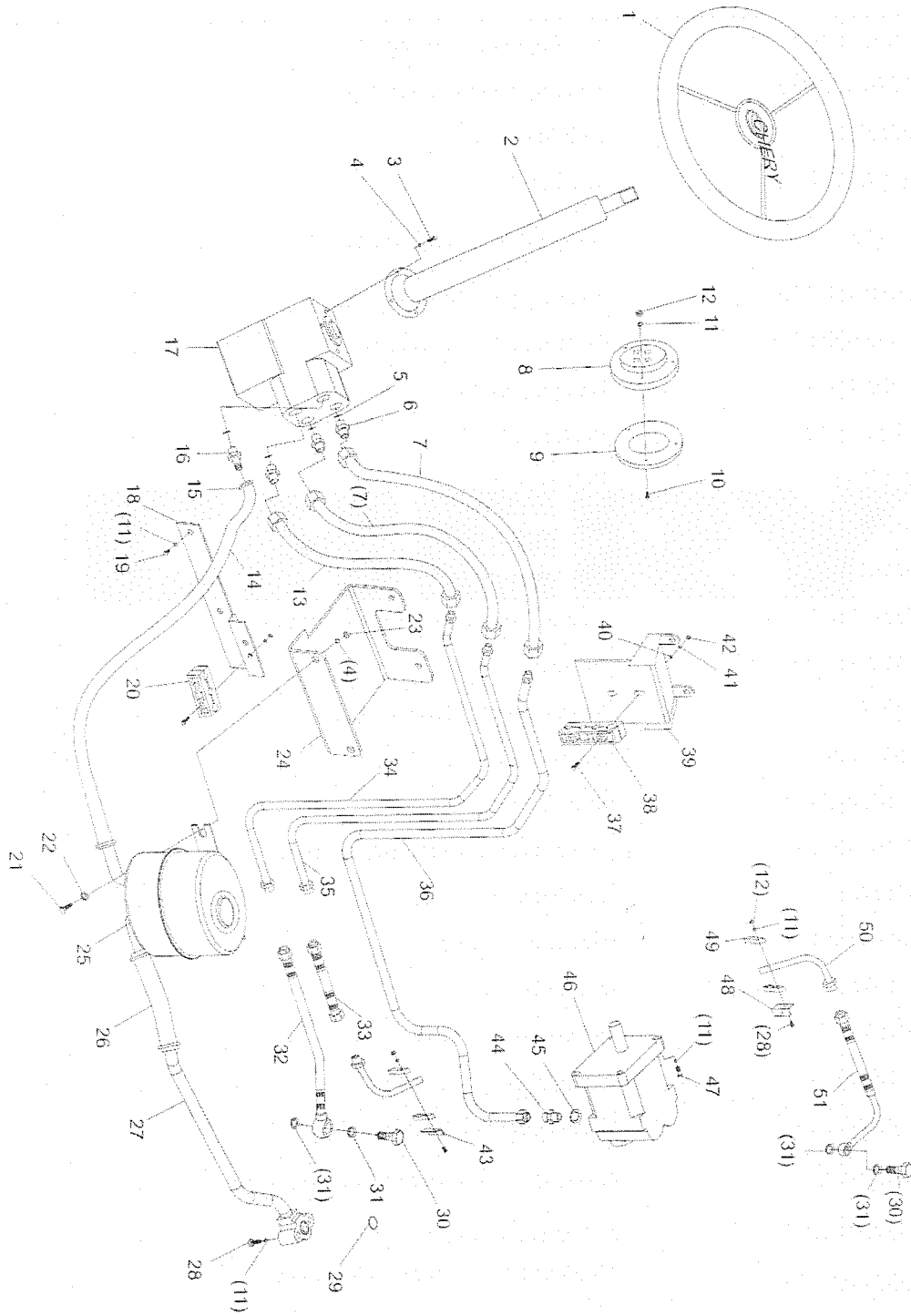
RC454.40A.001
Hydraulic Steering Assembly



RC454.40A.001
Hydraulic Steering Assembly

S/N	Code and Specification of Parts	Parts Name	Quantity	Remark
1	RC800.40.011	Steering wheel assembly	1	
2	RC550.40P.036	Steering column assembly	1	
3	GB/T5783	Bolt M10x30	4	
4	GB/T93-1987	Washer 10	6	
5	JB/T982	A-type combination washer 20	4	
6	RC550.40P.136	Steering gear joint 1	3	
7	RC550.40P.039B	Steering gear working hose	2	
8	RC450.40P.138	Damping block	1	
9	RC800.40.107	Backing plate	1	
10	GB/T5783	Bolt M8x35	3	
11	GB/T93	Washer 8	11	
12	GB/T6170	Nut M8	3	
13	RC550.40P.038A	Steering gear oil inlet pipe assembly	1	
14	RC450.40A.135	Oil suction hose	1	
15	8&75"7	A type worm-drive hose clip	4	
16	RC550.40P.137	Steering gear joint 2	1	
17	RC354.40C.015	Hydraulic steering gear	1	
18	RC550.40P.134	Lower bracket of steering oil pipe	1	
19	GB/T5783	Bolt M8x20	2	
20	RC550.40P.129	Three-hole clamp	2	
21	GB/T5783	Bolt M10x25	2	
22	GB/T97.1	Washer 10	2	
23	GB/T6170	Nut M10	2	
24	RC450.40A.134	Steering oil tank bracket	1	
25	RC800.40.020	Steering oil tank and breather assembly	1	
26	RC550.40L.107	Oil delivery hose	1	
27	RC550.40A.035	Oil delivery steel pipe welding part of oil tank	1	
28	GB/T5783	Bolt M8x40	2	

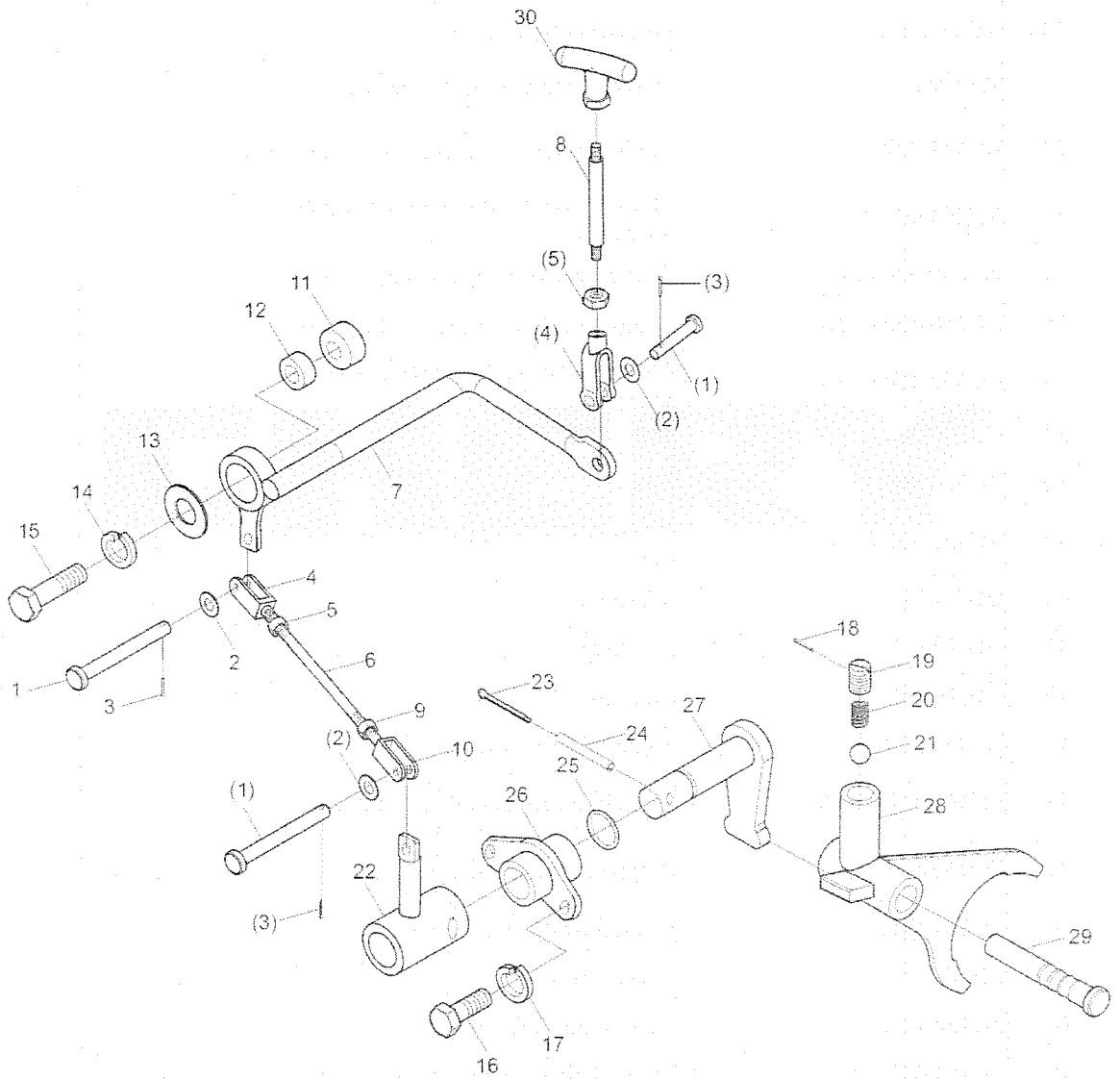
RC454.40A.001
Hydraulic Steering Assembly Continued



RC454.40A.001
Hydraulic Steering Assembly Continued

S/N	Code and Specification of Parts	Parts Name	Quantity	Remark
29	GB/T3452.1	O-ring 18x2.65	1	
30	RC650.40.112	Hollow bolt M16.1.5	2	
31	JB/T982	A-type combination washer 16	4	
32	RC454.20X.1	High-pressure oil delivery hose assembly	1	
33	RC454.40X.5	High-pressure right oil delivery pipe assembly	1	
34	RC550.40P.031B	Left oil delivery pipe welding part	1	
35	RC550.40P.032B	Right oil delivery pipe welding part	1	
36	RC550.40P.030B	Oil outlet steel pipe welding part of oil pump	1	
37	GB/T5783	Bolt M6x40	4	
38	RC550.40P.130	Four-hole clamp	2	
39	RC450.40P.037A	Steering related upper bracket welding part	1	
40	GB/T97.1	Washer 6	4	
41	GB/T93	Washer 6	4	
42	GB/T6170	Nut M6	4	
43	RC454.40X-02	Right oil pipe bracket	1	
44	RC404.40C.102A	Straight thread connector – body	1	
45	JB/T982	A-type combination washer 18	1	
46	RC304.40L.023	Constant-flow overflow pump	1	
47	GB/T70.1	Screw M8 x 35	4	
48	RC454.40X-03	Left oil pipe bracket	1	
49	RC454.40X-01	Single-hole pipe clamp	4	
50	RC454.40X.3	Left oil delivery steel pipe welding part of oil cylinder	1	
51	RC454.40X.2	High-pressure left oil delivery pipe assembly	1	

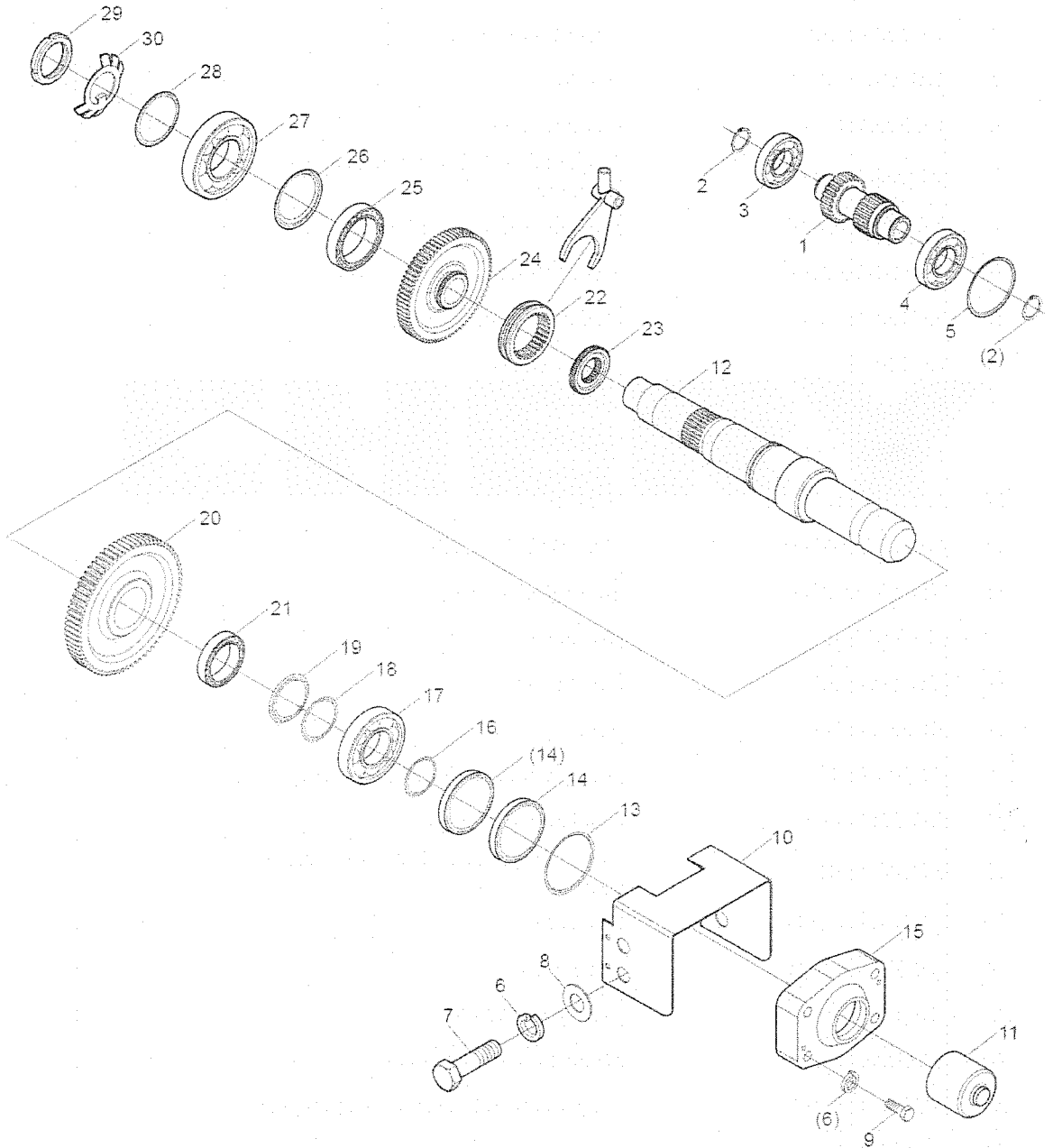
RC550.41P.001-3
Power Output Assembly (1)



RC550.41P.001-3
Power Output Assembly (1)

S/N	Code and Specification of Parts	Parts Name	Quantity	Remark
1	GB/T882-2000	Axis pin B10x30-Zn.D	3	
2	GB/T97.1-2002	Washer 10-200HV-Zn.D	3	
3	GB/T91-2000	Pin 3.2x16	3	
4	RC300.43.108	Front fork of link	2	
5	GB/T6170-2000	Nut M10-Zn.D	3	
6	RC300.41E.112	Control lever	1	
7	RC500.41P.030	Power take-off control mechanism assembly	1	
8	RC800.37A.110	Creeper gear control lever	1	
9	GB/T6170-2000	Nut M10-left-Zn.D	1	
10	RC300.43.110	Pull rod rear fork	1	
11	RC300.41.128	Spacer sleeve	1	
12	RC300.41.130	Shaft sleeve	1	
13	RC300.41.129	Washer	1	
14	GB/T93-1987	Washer 12	9	
15	GB/T5782-2000	Bolt M12x75-Zn.D	1	
16	GB/T5783-2000	Bolt M8x20-Zn.D	2	
17	GB/T93-1987	Washer 8	2	
18	GB/T91-2000	Pin 2.5x32	1	
19	RC550.413-02	Screw	1	
20	RC300.41.123	Shifting fork shaft locating spring	1	
21	GB/T308-1989	Steel ball 9.5 G100b	1	
22	RC300.41.012	Power output gear shift lever welding part	1	
23	GB/T879.1-2000	Pin 6x24	1	
24	GB/T879.1-2000	Pin 3.5x24	1	
25	GB/T3452.1-1992	O ring 11.2x2.65G	2	
26	RC300.41E.109	Deflector rod shaft sleeve	1	
27	RC300.41E.011	Finger type deflector rod welding part	1	
28	RC550.413-01a	Power output shifting fork	1	
29	RC300.40C.107a	Power take-off shifting fork shaft	1	
30	RC800.37D.014A	Pull-push handle assembly	1	

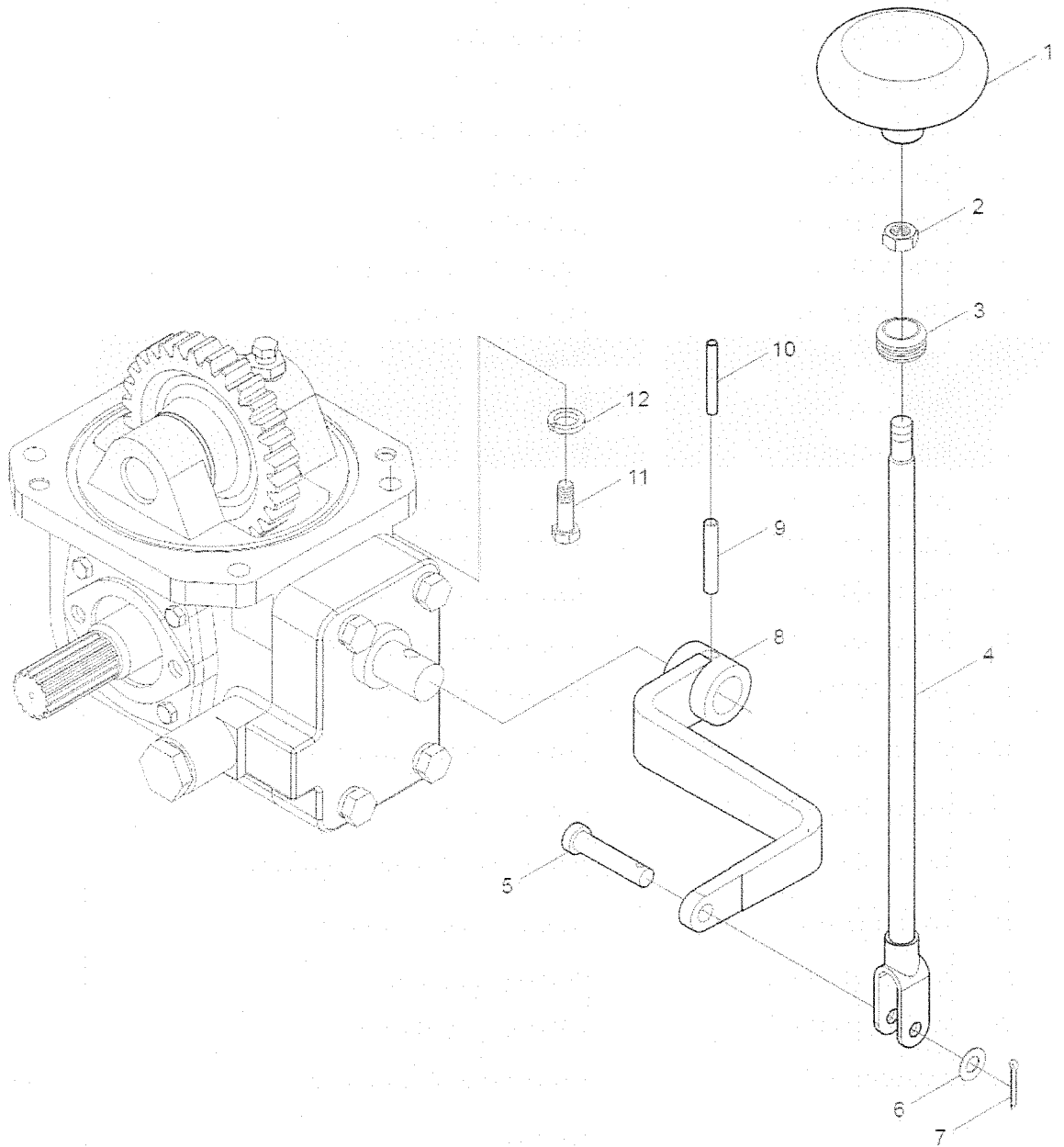
RC550.41P.001-3
Power Output Assembly (2)



RC550.41P.001-3 Power Output Assembly (2)

S/N	Code and Specification of Parts	Parts Name	Quantity	Remark
1	RC550.411A-01	Power output high/low-speed driving dual gear	1	540/1000
2	GB/T894.1-1986	Snap ring 40	2	
3	GB/T276-1994	Bearing 6208	1	
4	GB/T276-1994	Bearing 6308N	1	
5	GB/T305-1998	Check ring 90/96.5	1	
6	GB/T93-1987	Washer 12	9	
7	GB/T5783-2000	Bolt M12x25-Zn.D	4	
8	GB/T97.1-2002	Washer 12-200HV-Zn.D	4	
9	GB/T5782-2000	Bolt M12x55-Zn.D	4	
10	RC300.41.131a	Safety protective cover	1	
11	RC300.41E.102	Power output shaft cover	1	
12	RC550.412A-01	PTO shaft	1	
13	RC300.41E.115	Oil seal snap ring	1	
14	GB/T9877.1-1988	Oil seal FB50x72x8D	1	
15	RC300.41E.101	Rear end cover I		
16	RC300.41E.113	Output shaft bearing washer	1	
17	GB/T276-1994	Bearing 6309	1	
18	RC300.41E.119	Output shaft half baffle ring	1	
19	RC300.41E.114a/b/c/d/e	rear baffle ring		
20	RC550.411-03	Power output low-speed driven gear	1	
21	GB/T5846-1986	Needle bearing KK404634	1	
22	RC300.41C.116	PTO engaging sleeve	1	
23	RC300.41C.117	PTO engaging gear seat	1	
24	RC550.411A-02	Power output high-speed driven gear	1	540/1000
25	GB/T5846-1986	Needle bearing K354027	1	

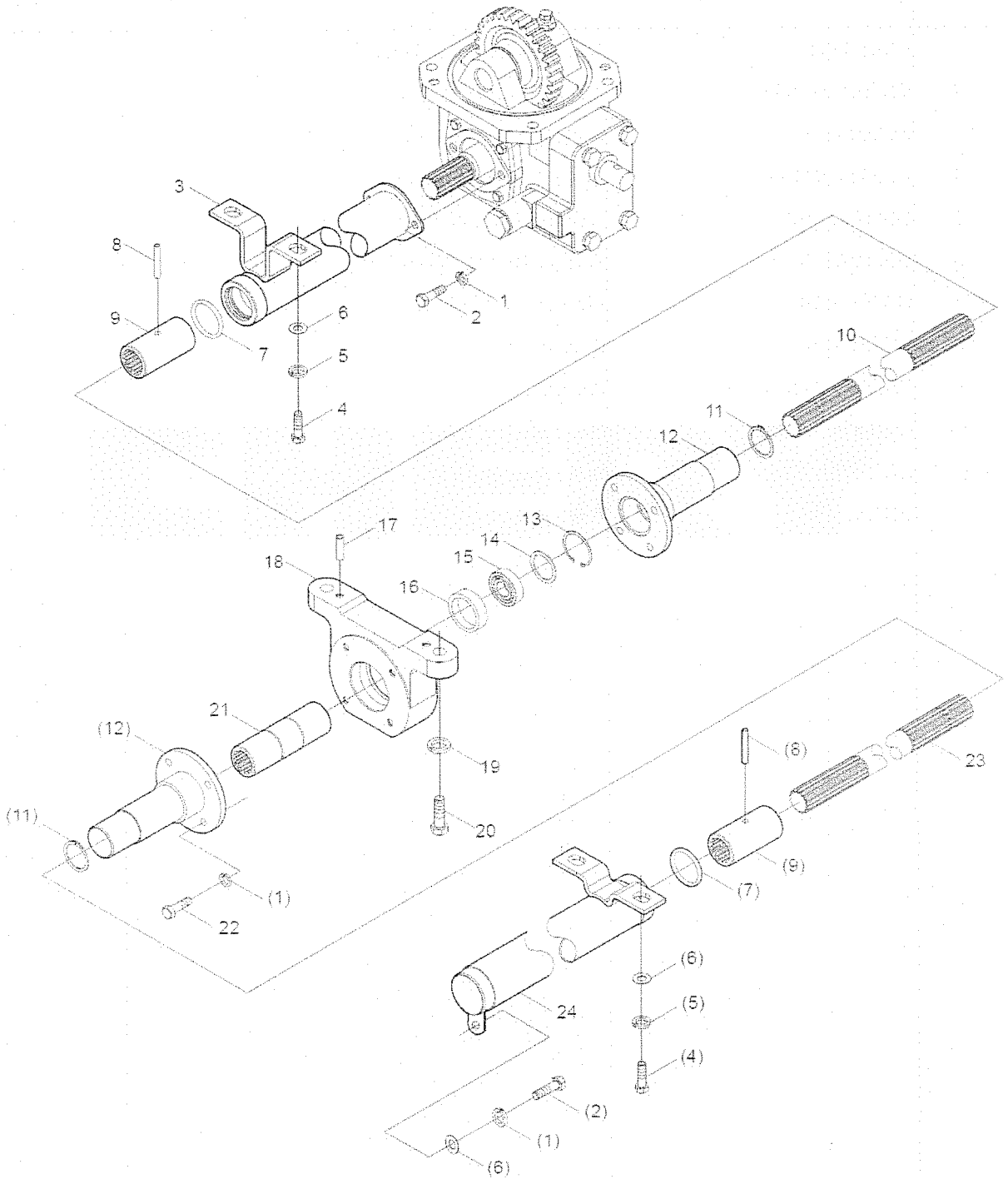
RC454.42PE.001
Transfer Case Assembly (1)



RC454.42PE.001
Transfer Case Assembly (1)

S/N	Code and Specification of Parts	Parts Name	Quantity	Remark
1	RC65.38.051	Pull-push handle assembly	1	
2	GB/T6170-2000	Nut M10-Zn.D	1	
3	RC800.45.081	Sealing seat assembly	1	
4	RC304.42D.021	Control level assembly	1	
5	GB/T882-2000	Axis pin B10x30-Zn.D	1	
6	GB/T97.1-2002	Washer 10-200HV-Zn.D	5	
7	GB/T91-2000	Pin 3.2x16	1	
8	RC554.423C-01	Rocker arm	1	
9	GB/T879-1-2000	Pin 8x32	1	
10	GB/T879-1-2000	Pin 5x32	1	
11	GB/T5783-2000	Bolt M10x30-Zn.D	4	
12	GB/T93-1987	Washer 10	8	

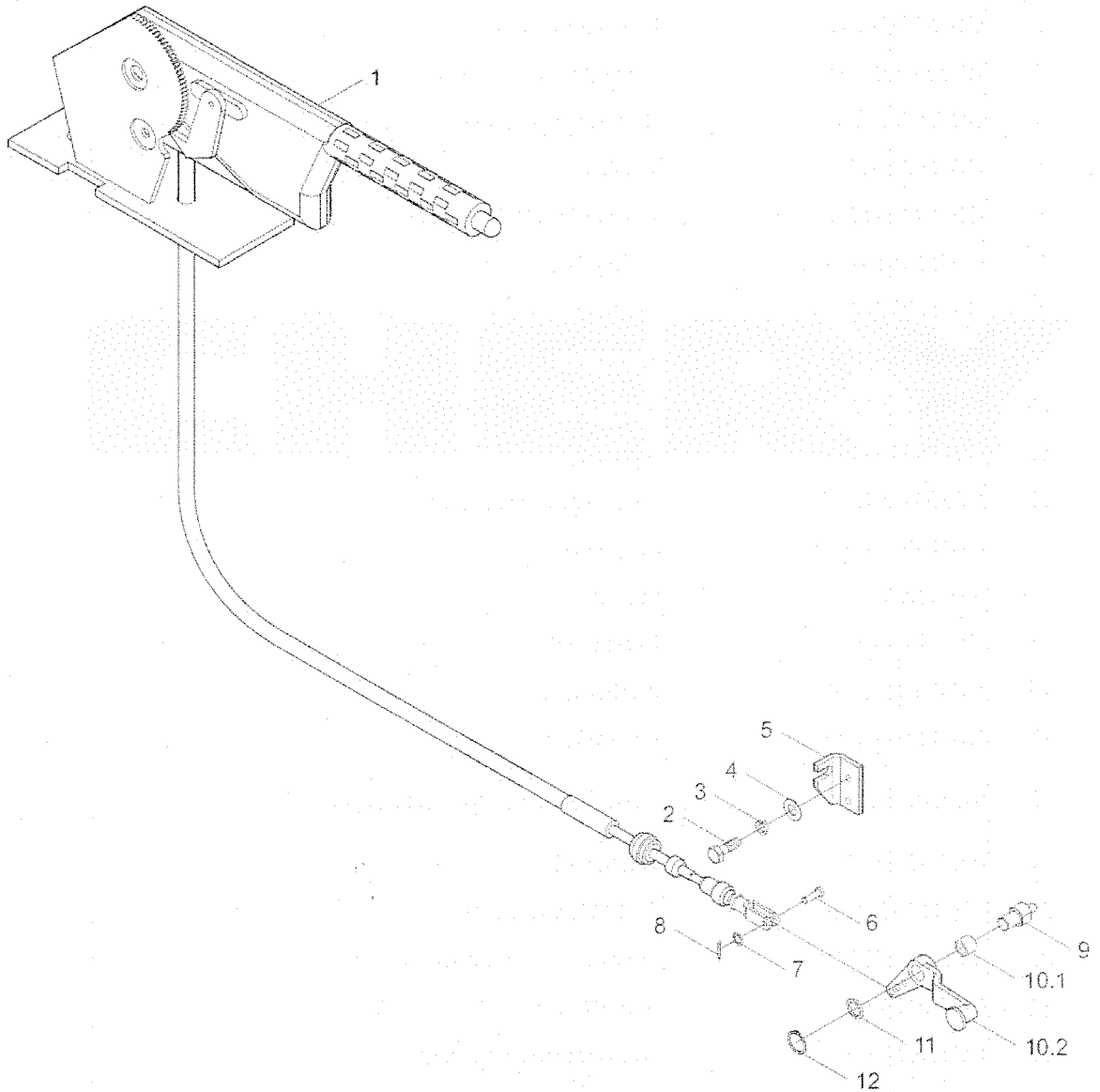
RC454.42PE.001
Transfer Case Assembly (2)



RC454.42PE.001
Transfer Case Assembly (2)

S/N	Code and Specification of Parts	Parts Name	Quantity	Remark
1	GB/T93-1987	Washer 8	11	
2	GB/T5783-2000	Bolt M8x16-Zn.D	2	
3	RC304.42F.015	Jacket (1) welding part	1	
4	GB/T5783-2000	Bolt M10x20-Zn.D	4	
5	GB/T93-1987	Washer 10	8	
6	GB/T97.1-2002	Washer 10-200HV-Zn.D	5	
7	GB/T3452.1-1992	O ring 34.5 x3.55G	2	
8	GB/T879.1-2000	Pin 6x35	2	
9	RC304.42.107a	Spline sleeve	2	
10	RC404.42.128	Rear transmission shaft	1	
11	GB/T894.1-1986	Snap ring 26	2	
12	RC304.42X.017	Jacket (2) welding part	2	
13	GB/T893.2-1986	Snap ring 72	1	
14	304.42X.136	Spacer	1	
15	GB/T276-1994	Bearing 6007-2Z	1	
16	RC304.42X.137	Rubber ring	1	
17	GB/T119.1-2000	Pin 8m6x20	2	
18	RC554.422.1	Intermediate bearing seat assembly	1	
19	GB/T93-1987	Washer 12	2	
20	GB/T5783-2000	Bolt M12x40-Zn.D	2	
21	RC304.42X.135	Intermediate spline sleeve	1	
22	GB/T5783-2000	Bolt M8x20-Zn.D	8	
23	RC404.42.139	Front transmission shaft	1	
24	RC404.42.016	Jacket (3) welding part	1	

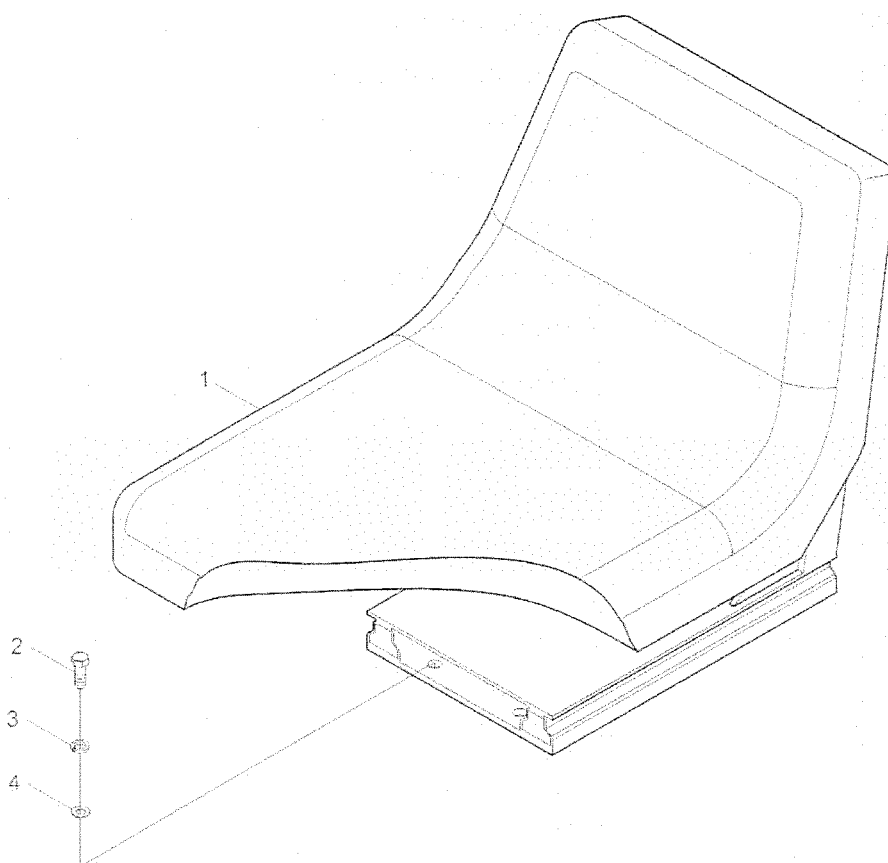
RC450.43C.001
Brake Assembly - 2



RC450.43C.001
Brake Assembly - 2

S/N	Code and Specification of Parts	Parts Name	Quantity	Remark
1	RC550.43C.014	Hand brake and cable assembly	1	
2	GB/T5783	Bolt M10x35	2	
3	GB/T93-87	Washer 10	2	
4	GB/T97.1	Washer 10	2	
5	RC550.43C.141	Stop block	1	
6	GB/T882	Axis pin B10x30	1	
7	GB/T97.1	Washer 10-200HV-A3L	1	
8	GB/T91	Pin 3.2x16	1	
9	RC550.43C.131	Rocker arm shaft	1	
10	RC550.43C.020	Rocker arm	1	
10.1	RC550.43C.126	Bush of rocker arm	1	
10.2	RC550.43C.021	Rocker arm welding	1	
11	GB/T97.1	Washer 20	1	
12	GB/T894.1	Snap ring for shaft 20	1	

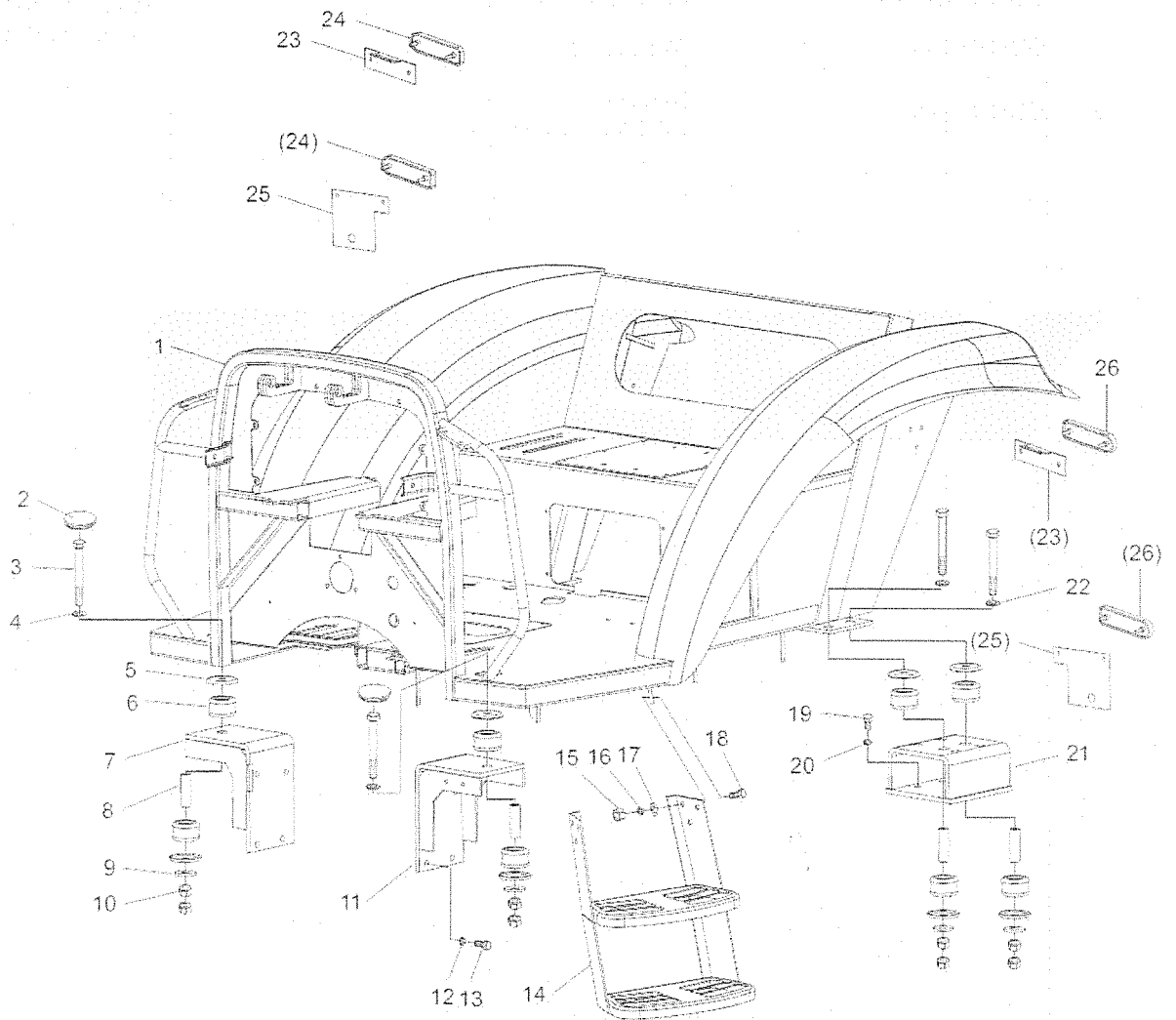
RC300.44C.001
Driver's Seat Installation Assembly



C300.44C.001
Driver's Seat Installation Assembly

S/N	Code and Specification of Parts	Parts Name	Quantity	Remark
1	RC300.44C.001 RD250.44C.011	Seat mounting assembly Seat assembly	1	
2	GB/T5783-2000	Bolt M10x25-Zn.D	4	(E50*78/764*200 6/96*0006*00)
3	GB/T93-1987	Washer 10	4	
4	GB/T97.1-2002	Washer 10-200Hv-Zn.D	4	

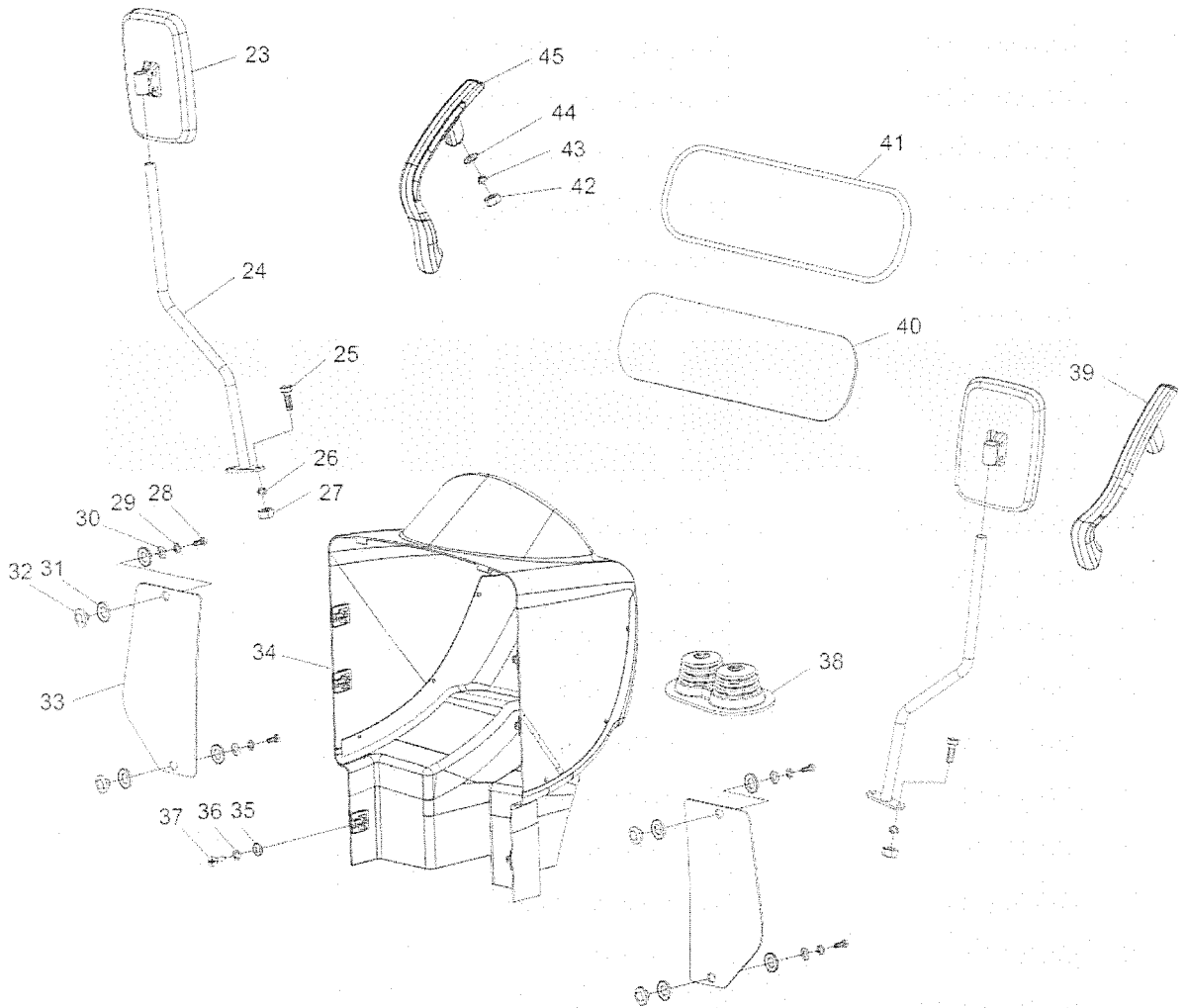
RC550.45C.001
Floor and Mudguard Assembly



RC550.45C.001 Floor and Mudguard Assembly

S/N	Code and Specification of Parts	Parts Name	Quantity	Remark
	RC550.45C.001	Floor and mudguard assembly	1	
1	RC550.45C.011	Floor and fender welding assembly	1	
2	RC800.45.275	Seal cover	2	
3	GB/T5782	Bolt M16x140-A3L	6	
4	GB/T96.1	Washer16-AOP	2	
5	RC800.45.149	Damping block guard	12	
6	RC800.45.150A	Rubber damping block	12	
7	RC550.45P.030-1	Front right support welding	1	
8	RC800.45.151C	Damping block casing pipe	6	
9	RC800.45.273	Big washer	6	
10	GB/T6170	Nut M16-A3L	12	
11	RC550.45P.029-1	Front left support welding	1	
12	GB/T793	Washer12-AOP	8	
13	GB/T75783	Bolt M12x25-A3L	8	
14	RC550.45P.020	Pedal assembly	2	
15	GB/T76170	Nut M10-A3L	12	
16	GB/T793	Washer 10-AOP	12	
17	GB/T97.1	Washer 10-AOP	12	
18	GB/T75783	Bolt M10x30-A3L	12	
19	GB/T 5783	Bolt M14x35-A3L	8	
20	GB/T793	Washer14-AOP	8	
21	RC550.45P.031-1	Rear support welding	2	
22	GB/T 97.1	Washer 16-AOP	4	
23	RC550.51C.040	Reflector support welding	2	
24	D250.51C.031	Right reflector assembly	2	IA E4-3R-023300
25	RC550.51C.103	Reflector bracket	2	
26	D250.51C.030	Left reflector assembly	2	IA E4-3R-023300

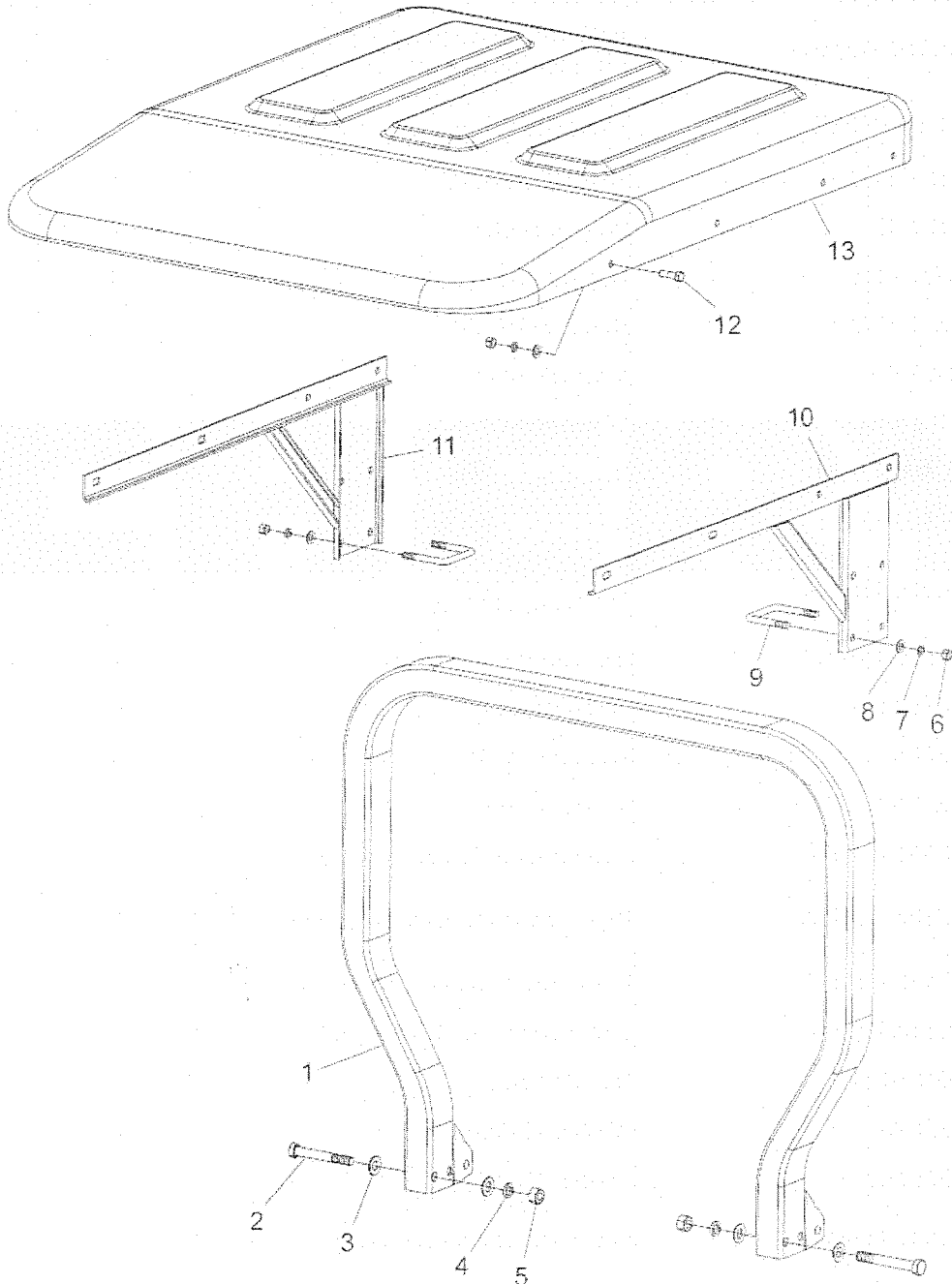
RC550.45C.001
Floor and Fender Assembly (continued 1)



RC550.45C.001
Floor and Fender Assembly (continued 1)

S/N	Code and Specification of Parts	Parts Name	Quantity	Remark
23	RC800.473.031A	Rear view mirror assembly (II E11-46R-038094)	2	
24	RC550.45P.036	Floor rearview mirror bracket welding	2	
25	GB/T 5783	Bolt M8x25-A3L	4	
26	GB/T 93	Washer 8-AOP	4	
27	GB/T 6170	Nut M8-A3L	4	
28	GB/T 5783	Bolt M8x16-A3L	4	
29	GB/T693	Washer8-AOP	4	
30	GB/T 97.1	Washer8-AOP	4	
31	RC800.45.335	Round nut gasket	8	
32	RC800.45.075	Round nut press fit	4	
33	RC550.45P.114	Front windscreen (E4-43R-000330)	2	
34	RC550.45P.012	Instrument box assembly	1	
35	GB/T 818	ScrewM6A18	6	
36	GB/T 93	Washer 6-AOP	6	
37	GB/T 97.1	Washer 6-AOP	6	
38	RC550.45P.100	Control lever dust proof cover	1	
39	RC800.45.070A	Right commode handle assembly	1	
40	RC550.45P.115	Lower rear window glass	1	
41	RC550.45P.116	Lower rear window glass seal	1	
42	GB/T 6170	Nut M12-A3L	4	
43	GB/T 93	Washer 12-AOP	4	
44	GB/T97.1	Washer 12-AOP	4	
45	RC800.45.060A	Left commode handle assembly	1	

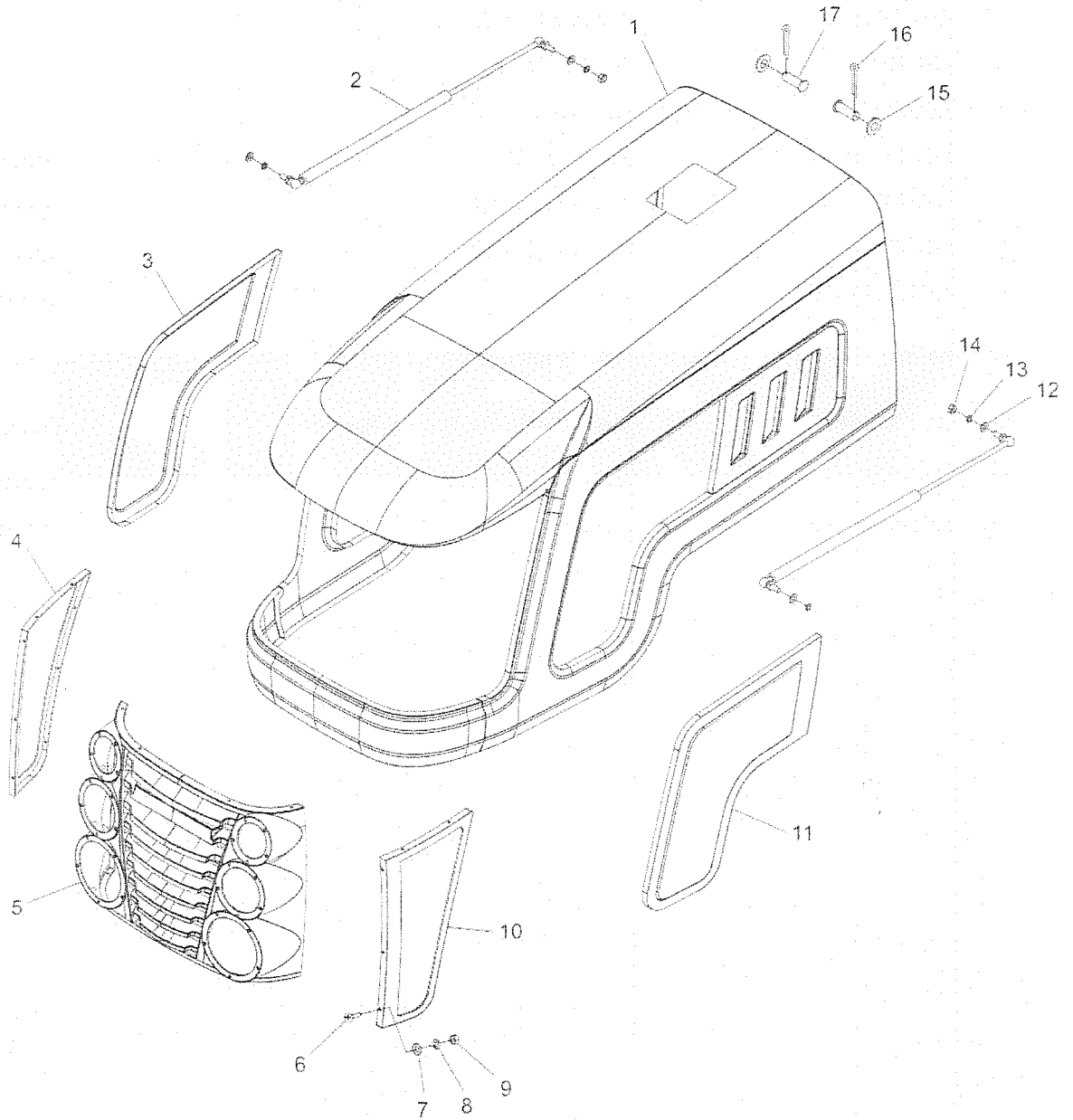
RC550.46.001
Safety Frame Assembly



RC550.46.001 Safety Frame Assembly

S/N	Code and Specification of Parts	Parts Name	Quantity	Remark
1	RC550.46.001 RC550.46.011	Safety shelf assembly Safety shelf welding	1	
2	GB/T5785	Bolt M16x1.5x120-A3L	8	
3	GB/T97.1	Washer 16-AOP	16	
4	GB/T93	Washer 16-AOP	8	
5	GB/T6171	nut M16x1.5-A2L	8	
6	GB/T6170	nut M12-A2L	16	optional
7	GB/T93	Washer 12-AOP	16	optional
8	GB/T97.1	Washer 12-AOP	16	optional
9	RC500.46.130	U type bolt	4	optional
10	RC500.46.015	Ceiling left bracket welding part	1	optional
11	RC500.46.016	Ceiling right bracket welding part	1	optional
12	GB/5783	Bolt M12X25-A3L	8	optional
13	RC500.46.120	Ceiling	1	optional

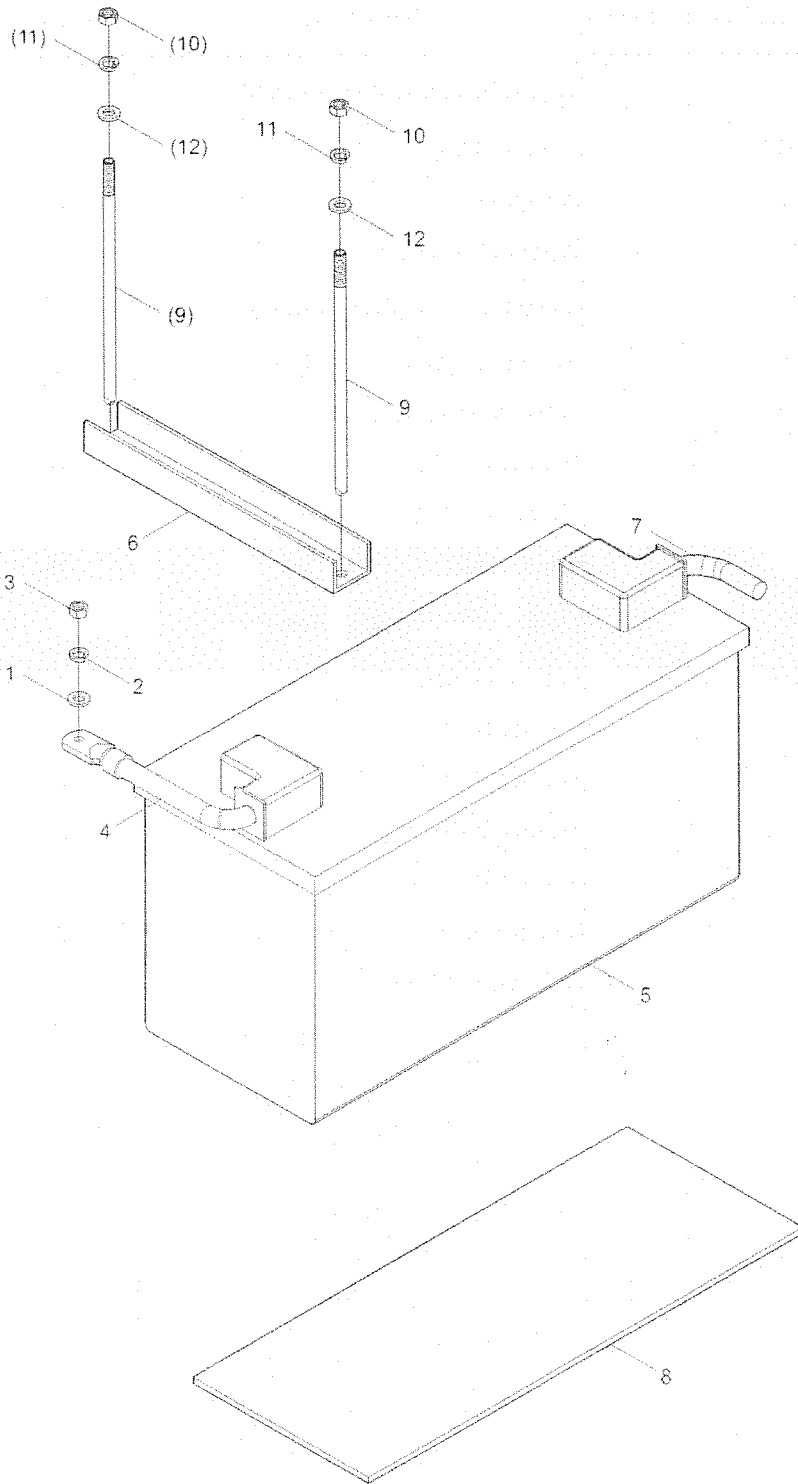
RC550.47P.1
Engine hood Installing Assembly



RC550.47P.1 Engine hood Installing Assembly

S/N	Code and Specification of Parts	Parts Name	Quantity	Remark
	RC550.47P.001	Engine hood installing assembly	1	
1	RC550.47P.012	Hood welding	1	
2	RC550.47.070-1	Air spring	2	
3	RC550.47P.134	Right mesh plate	1	
4	RC550.45.020	Lamp left mesh plate assembly	1	
5	RC550.47.015	Hood front grille assembly	1	
6	GB/T818	Screw M6X12-A3L	39	
7	GB/T97.1	Washer 6-AOP	39	
8	GB/T93	Washer 6-AOP	39	
9	GB/T6170	Nut M6-A2L	39	
10	RC550.45.021	Lamp right mesh plate assembly	1	
11	RC550.47P.133	Left mesh plate	1	
12	GB/T6170	Nut M10-A2L	2	
13	GB/T93	Washer 10-AOP	2	
14	GB/T97.1	Washer 10-AOP	2	
15	GB/T97.1	Washer 18-AOP	2	
16	GB/T91	Split pin 4X32	2	
17	GB/T882	Axis pin B18X50	2	

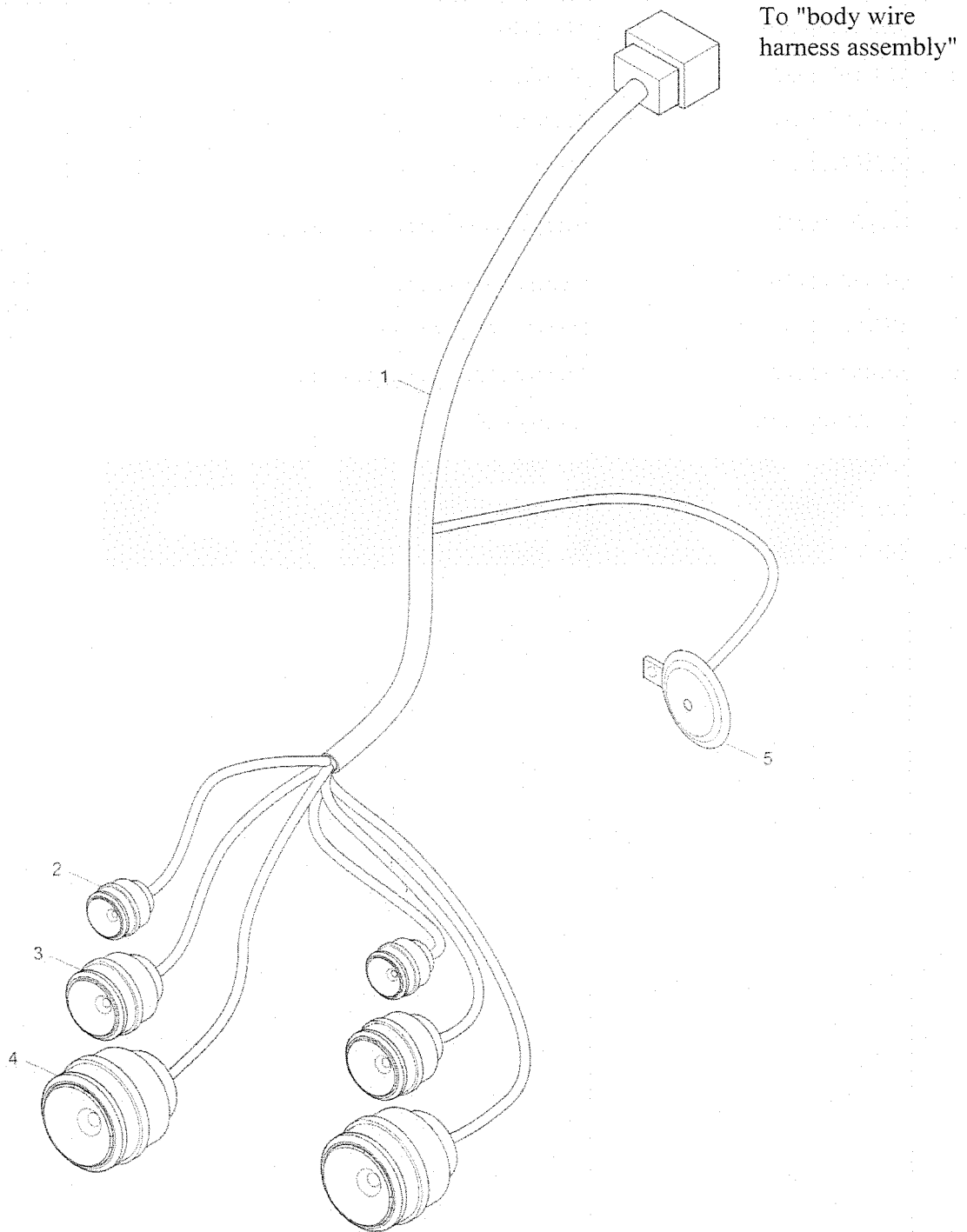
RC450.48.012
Battery Mounting Assembly



RC450.48.012
Battery Mounting Assembly

S/N	Code and Specification of Parts	Parts Name	Quantity	Remark
1	GB/T6170-2000	Nut M10	1	
2	GB/T93-1987	Washer 10	1	
3	GB/T97.1-1985	Washer 10	1	
4	RC400.485A.2	Battery ground wire	1	
5	6-QW-100MF	Maintenance-free storage battery	1	
6	RC450.48.020	Battery pressing plate	1	Hubei Camel Storage Battery Co., Ltd.
7	RC400.485A.1	Power cord assembly	1	
8	RC450.48.102	Storage battery damping cushion	1	
9	RC400.485A-01	Battery pull rod	2	
10	GB/T6170-2000	Nut M8	2	
11	GB/T93-1987	Washer 8	2	
12	GB/T97.1-1985	Washer 8	2	

RC400.48X.023A
Headlamp Wire Harness Assembly

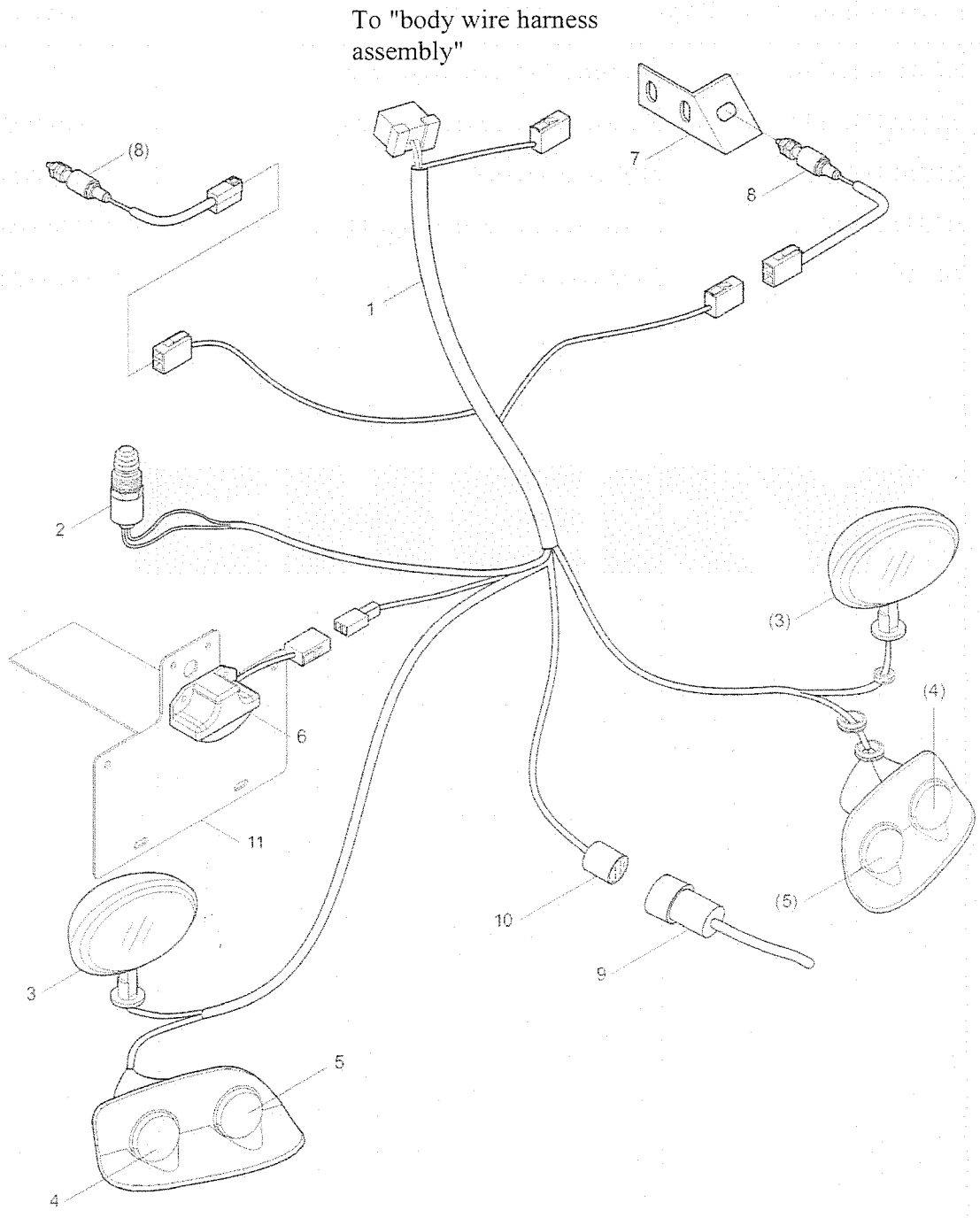


To "body wire
harness assembly"

RC400.48X.023A
Headlamp Wire Harness Assembly

S/N	Code and Specification of Parts	Parts Name	Quantity	Remark
1	RC400.48X.023A	Headlamp wire harness assembly	2	
2	RC550.47X.015.1	Front direction indicator assembly	2	E11 6R-012514
3	RC550.47X.015.2	High beam assembly	2	E11 112R-000124
4	RC550.47X.015.3	Front combination light assembly	2	E11 112R-006012
5	DL121	Horn assembly	1	II-E11-002230

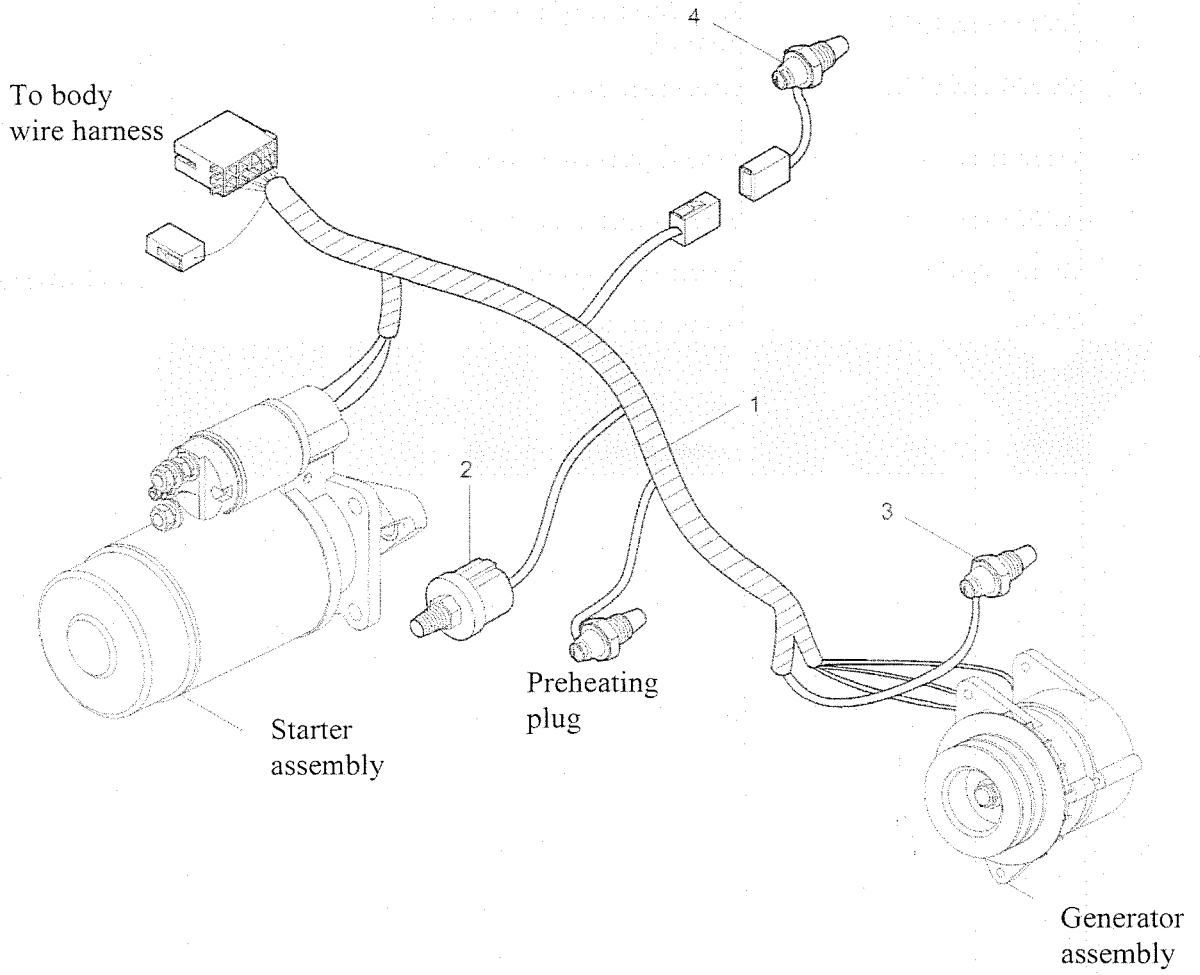
RC554.48E.1
Rear Lamp Wire Harness Assembly



RC554.48E.1
Rear Lamp Wire Harness Assembly

S/N	Code and Specification of Parts	Parts Name	Quantity	Remark
1	RC554.48E.1	Rear lamp wire assembly	1	
2	RC65.48.087	Air pressure alarm	1	E11 6R-012515
3	RC400.48.053	Rear work lamp	2	
4	RC550.48X.052.1	Rear direction indicator lamp assembly	2	
5	RC550.48X.052.2	Brake lamp assembly	2	E11 7R-023023
6	D250.48.055.1	License plate lamp assembly	2	
7	RK554.48E.107	Safety switch bracket	1	
8	RC300.48.033	Secure startup switch assembly	1	E4-4R-004208
9	DJ101	Seven-hole trailer socket	1	
10	DJ102	Seven-hole trailer plug	1	
11	RC550.51C.030	License plate bracket welding	1	

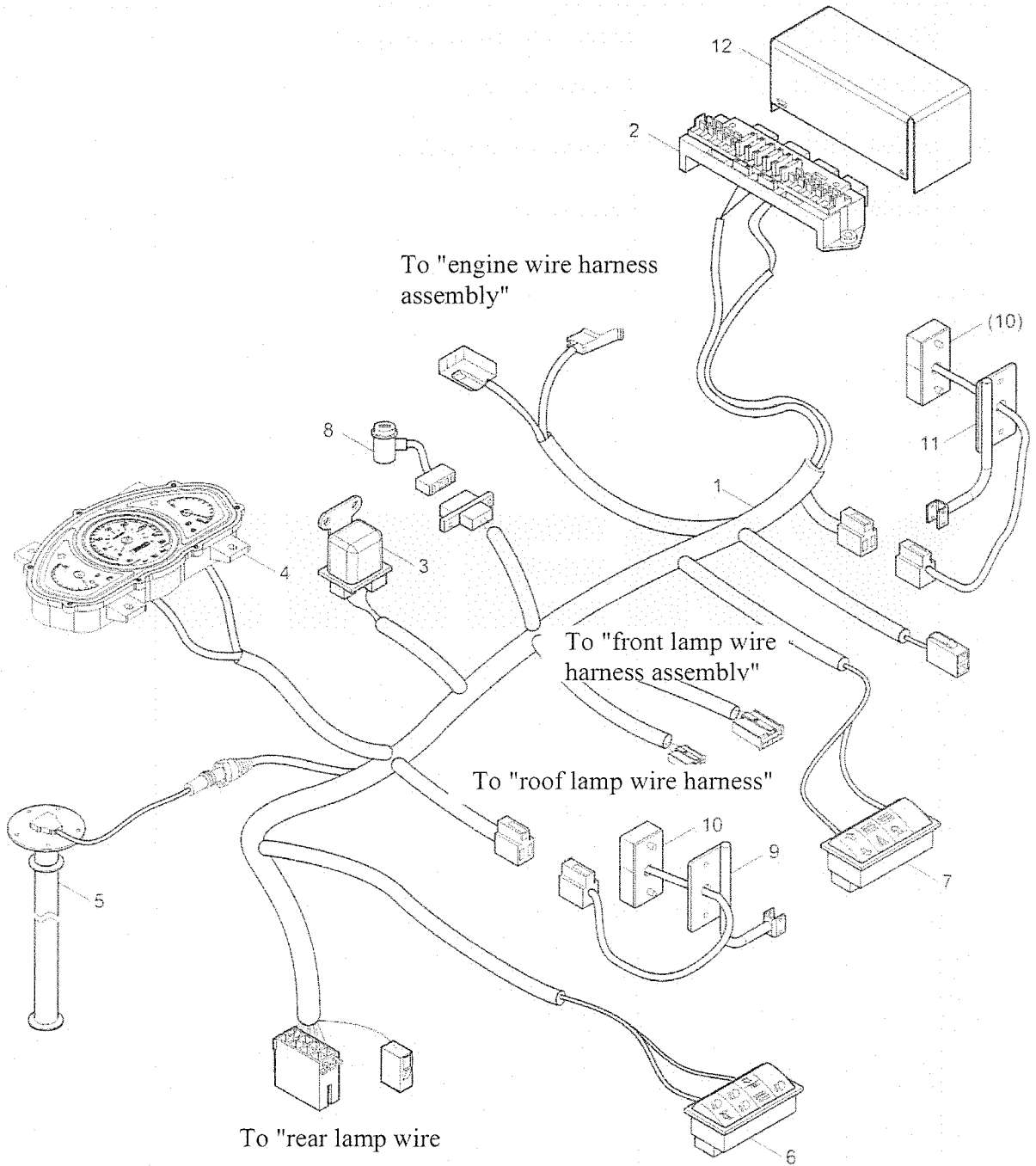
RK400.48C.1.1
Engine Wire Harness Assembly



RK400.48C.1.1
 Engine Wire Harness Assembly

S/N	Code and Specification of Parts	Parts Name	Quantity	Remark
1	RK400.48C.1.1	Engine wire harness assembly	1	
2	RC300.48.073a	Oil pressure alarm	1	
3	RC300.48.072	Water temperature sensor	1	
4	RC800.48.132	Speed sensor	1	

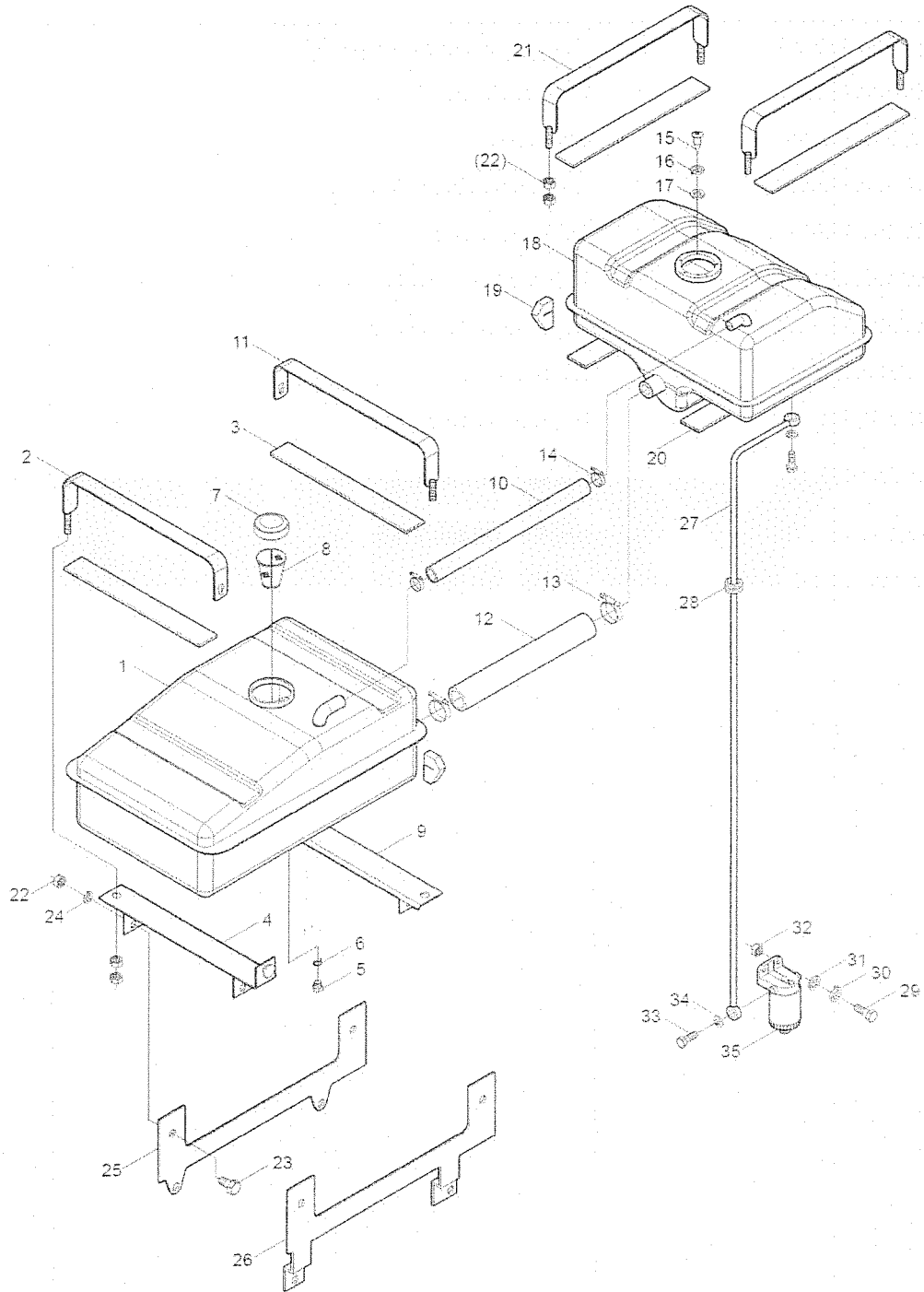
RK554.48E.2.1
Body Wire Harness



RK554.48E.2.1 Body Wire Harness

S/N	Code and Specification of Parts	Parts Name	Quantity	Remark
1	RK554.48E.2.1	Body wire harness assembly	1	
2	RC300.48C.2.2	Central electrical box	1	
3	RC300.48.055	Start relay	1	
4	RC300.48.063	Instrument cluster assembly	1	
5	RC300.48.071-2	Oil level sensor	1	
6	RC300.48D.2.3-1B	Left four-way switch	1	
7	RC300.48D.2.4A	Right four-way switch	1	
8	RC800.48.031	Ignition lock	1	
9	RK554.48E.034	Bracket welding (left)	1	
10	RC550.48X.055.1	Outline marker lamp assembly	2	E4 12318
11	RK554.48E.033	Bracket welding (right)	1	
12	RC400.48.202	Electric box guard	1	

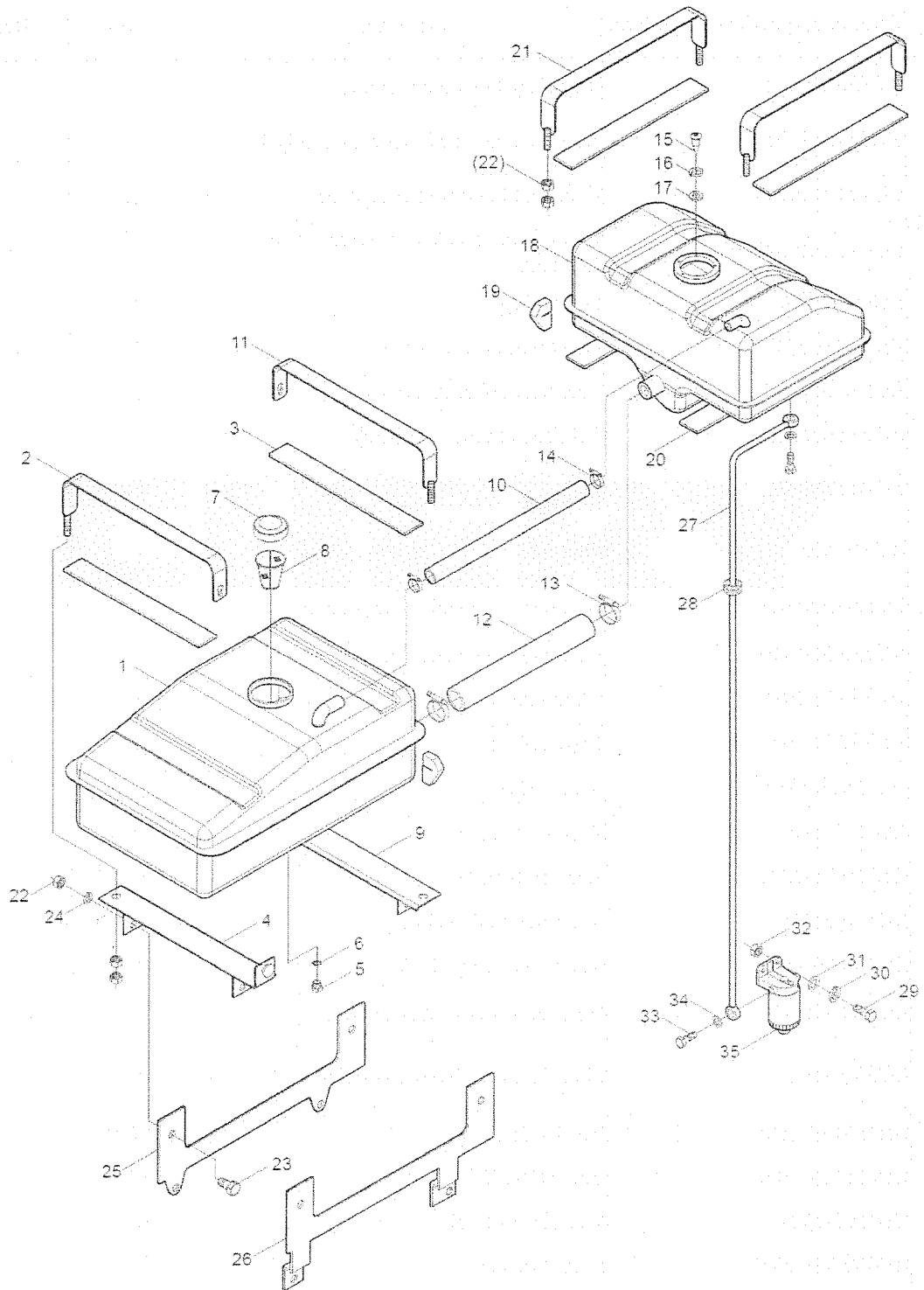
RC550.50C.001
Fuel Tank and Bracket Assembly



RC550.50C.001 Fuel Tank and Bracket Assembly

S/N	Code and Specification of Parts	Parts Name	Quantity	Remark
1	RC550.502C.1	Auxiliary fuel tank welding	1	
2	RC550.50P.018	Auxiliary fuel tank band assembly 1	1	
3	RC404.50P.114	Fuel tank band rubber cushion	4	
4	RC400.50P.022	Front fixing bracket assembly of auxiliary fuel tank	1	
5	RC65.50.226	Drain plug	2	
6	JB/T982-1977	Combination washer 16	2	
7	RC550.50C.027	Fuel tank cover assembly	1	
8	RC65.50.023	Oil filler strainer assembly	1	
9	RC400.50P.023 I	Rear fixing bracket assembly of auxiliary fuel tank	1	
10	RC550.50P.102	Fuel tank ventilation connecting pipe	1	
11	RC550.50P.019	Auxiliary fuel tank band assembly 2	1	
12	RC550.50P.103	Fuel tank connecting pipe	1	
13	JB/T8870-1999	Clamp 25/38	2	
14	JB/T8870-1999	Clamp 16/25	2	
15	GB/T818-1985	Screw M4x16	5	
16	GB/T93-1987	Washer 4-Zn.D	5	
17	GB/T97.1-2002	Washer 4-Zn.D	5	
18	RC550.501P.1	Main fuel tank welding	1	
19	RC300.50.112	Rubber backing block	8	
20	RC550.50P.132	Main fuel tank rubber cushion	2	
21	RC550.50P.3	Main fuel tank band assembly	2	
22	GB/T6170-2000	Nut 10-Zn.D	14	
23	GB/T5782-2000	Bolt M10x25	6	
24	GB/T93-1987	Washer 10-Zn.D	6	
25	RC400.50P.2011	Right bracket	1	

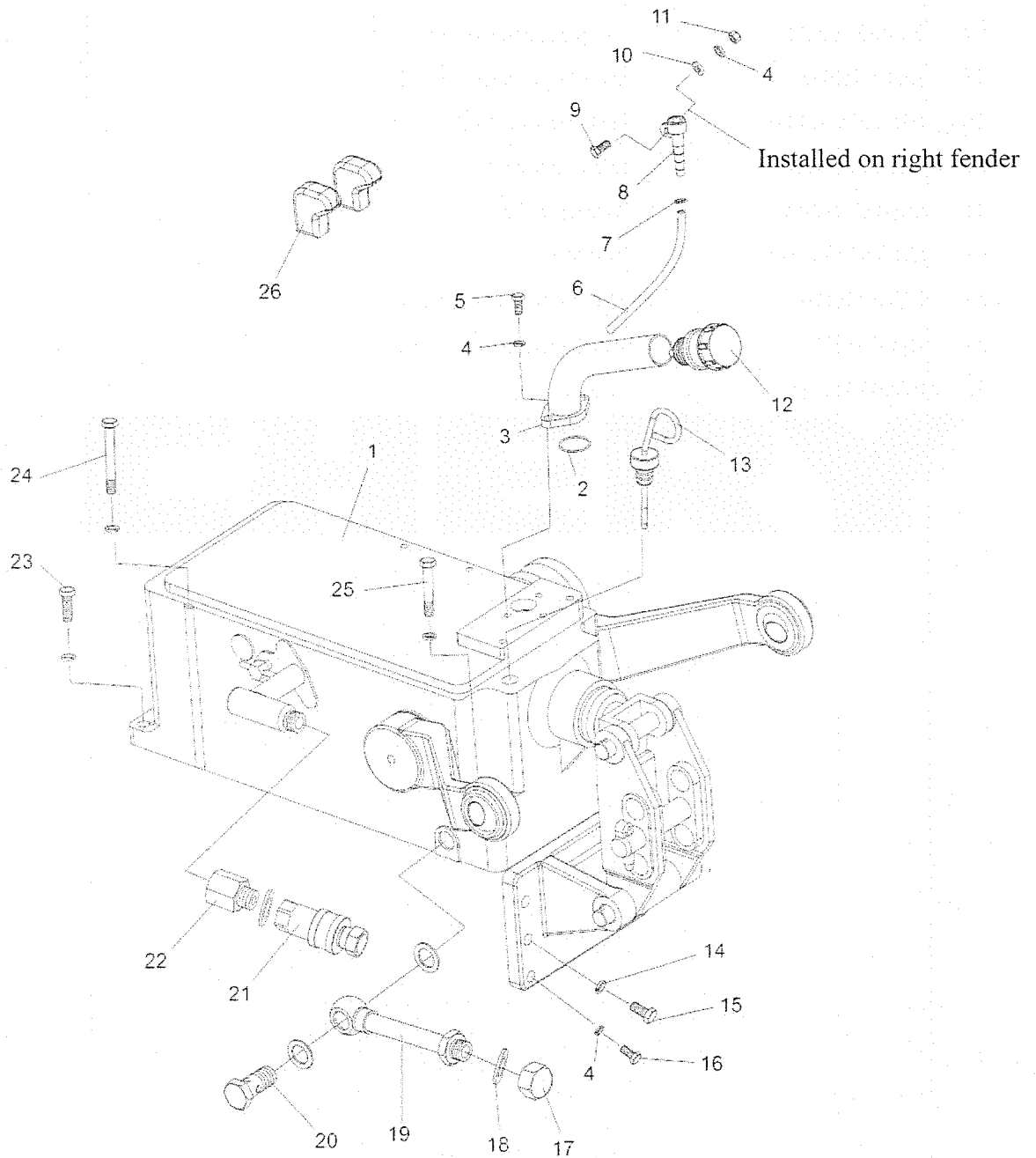
RC550.50C.001
Fuel Tank and Bracket Assembly Continued



RC550.50C.001
Fuel Tank and Bracket Assembly Continued

S/N	Code and Specification of Parts	Parts Name	Quantity	Remark
26	RC400.50P.202I	Left bracket	1	
27	RC800.50.024	Oil pipeline assembly 2	1	
28	RC65.48.093	Braiding rubber ring (I)	1	
29	GB/T5783-2000	Bolt M8x30-Zn.D	2	
30	GB/T93-1987	Washer 8-Zn.D	2	
31	GB/T97.1-2002	Washer 8-Zn.D	2	
32	GB/T6170-2000	Nut M8	2	
33	RC65.50.106	Hollow bolt M14x1.5	3	
34	JB982-1977	Combination washer 14	6	
35	RC800.50.025	Diesel filter	1	

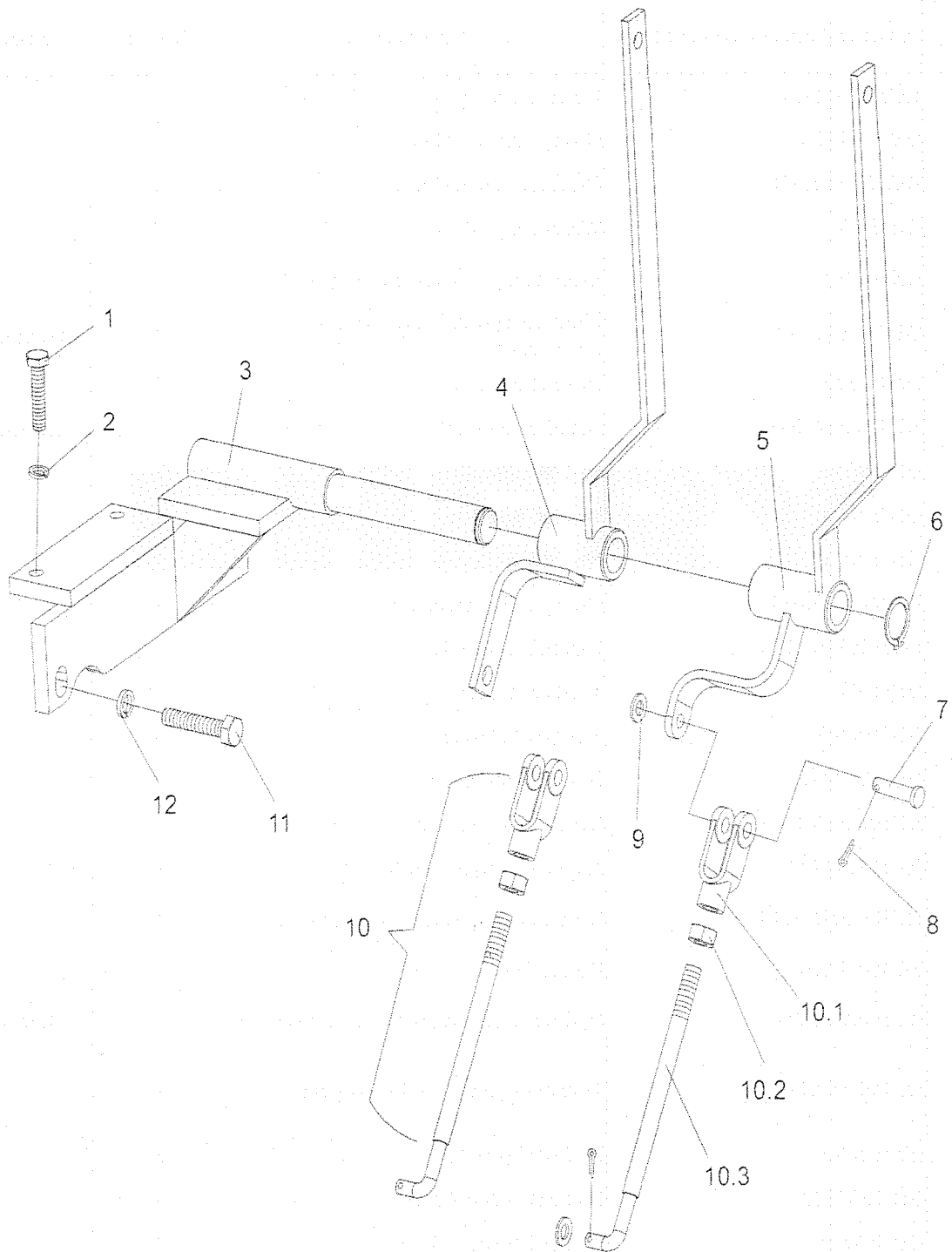
RC550.55C.001
Lifter Assembly (1)



RC550.55C.001
Lifter Assembly (1)

S/N	Code and Specification of Parts	Parts Name	Quantity	Remark
1	RC550.551A.1	Lifter assembly	1	
2	GB/T 3452.1	O ring 32.5 x 1.80G	1	
3	RC300.55B.026	Oil filler pipe welding	1	
4	GB/T 93	Washer 8-AOP	5	
5	GB/T 70.1	Inner hexagon screw M8X25-A3L	2	
6	GB/T 13527.1	Fluid transportation rubber pipe LS-8.0X1.5	1	600 in length
7	JB/T 8870	Hose clamp d12	2	
8	RC800.55A.033	Breather assembly	1	Borrowed
9	GB/T35783	Bolt M8x20-A3L	1	
10	GB/T 97.1	Washer 8-AOP	1	
11	GB/T 6170	Nut M8-A3L	1	
12	RC300.55B.029	Oil pipe plug assembly	1	
13	RC300.55B.022a	Dipstick assembly	1	
14	GB/T 93	Washer 12-AOP	12	
15	GB/T 5783	Bolt M12x35-A3L	4	
16	GB/T3578333	Bolt M8x35-A3L	2	
17	RC300.55B.121B	Oil delivery pipe nut	1	
18	JB/T982-1977	A type combined washer 22	4	
19	RC300.55B.024A	Oil drain pipe welding assembly	1	
20	RC300.58.101	Hollow bolt	1	
21	RC800.58A.056	Hydraulic output joint (English system)	1	Borrowed
22	RC550.55P.140	Transition joint (English system)	1	
23	GB/T 5783	Bolt M12x40-A3L	2	
24	GB/T357823	Bolt M12x240-A3L	4	
25	GB/T 5782	Bolt M12x100-A3L	2	
26	RC800.58A.064	Ball knob assembly	2	Borrowed

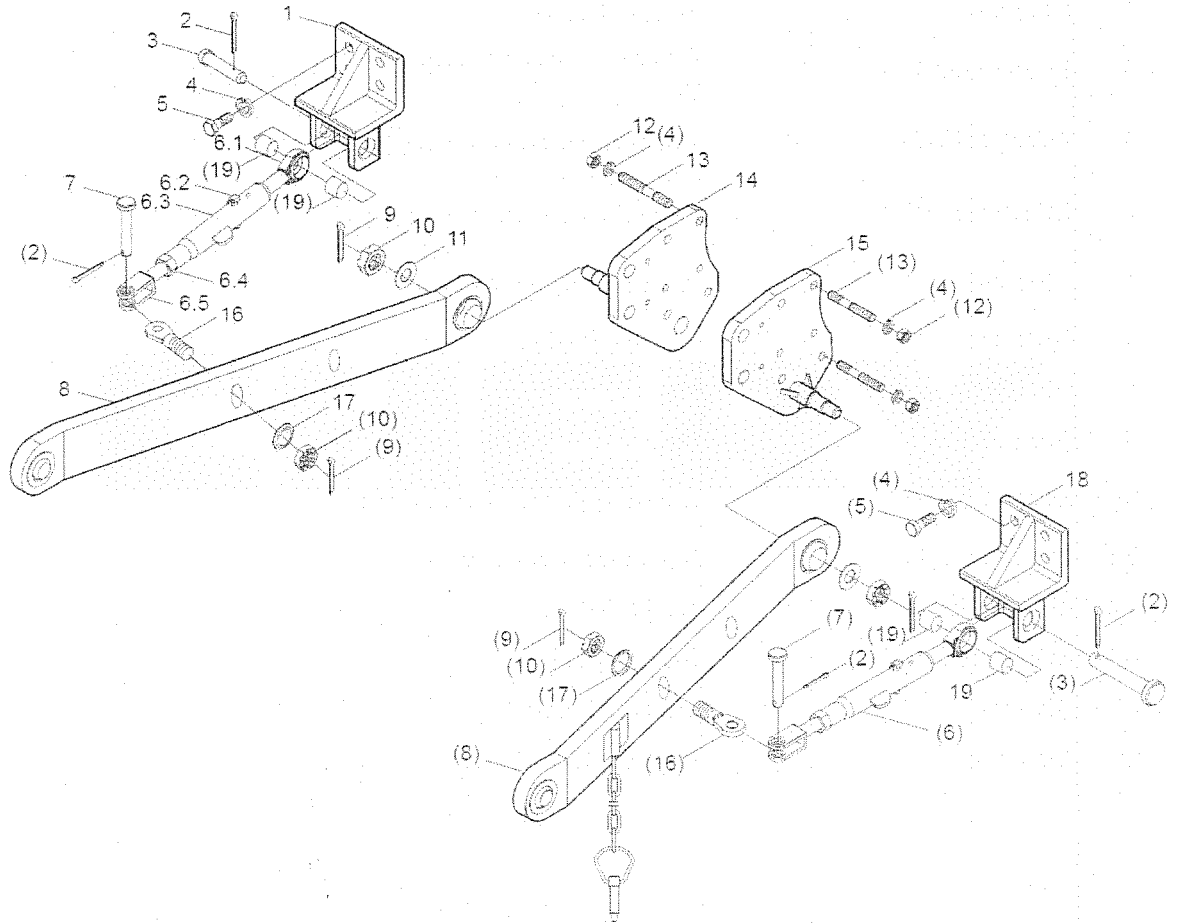
RC550.55C.001
Lifter Assembly (2)



RC550.55C.001
Lifter Assembly (2)

S/N	Code and Specification of Parts	Parts Name	Quantity	Remark
	RC550.55C.029	Control mechanism assembly	1	
1	GB/T 5783	Bolt M8x35-A3L	2	
2	GB/T 93-	Washer 8-AOP	2	
3	RC550.55P.030-1	Control mechanism bracket welding part	1	
4	RC550.55C.031	Control rocker arm welding part 1	1	
5	RC550.55P.032-1	Control rocker arm welding part 2	1	
6	GB/T 894.1	A type circlip for shaft 21	1	
7	GB/T 882	Axis pin B8x30	2	
8	GB/T2912	Pin 3x25-AOP	4	
9	GB/T 97.1	Plain washer 8-AOP	4	
10	RC550.55P.033	Adjusting pull rod welding part	2	
10.1	RC800.58A.180	Rightward rotating clevis	1	
10.2	GB/T 6170	Nut M10-A3L	1	
10.3	RC550.55P.137	Adjusting pull rod	1	
11	GB/T 93	Washer 12-AOP	2	
12	GB/T 5783	Bolt M12x30A3L	2	

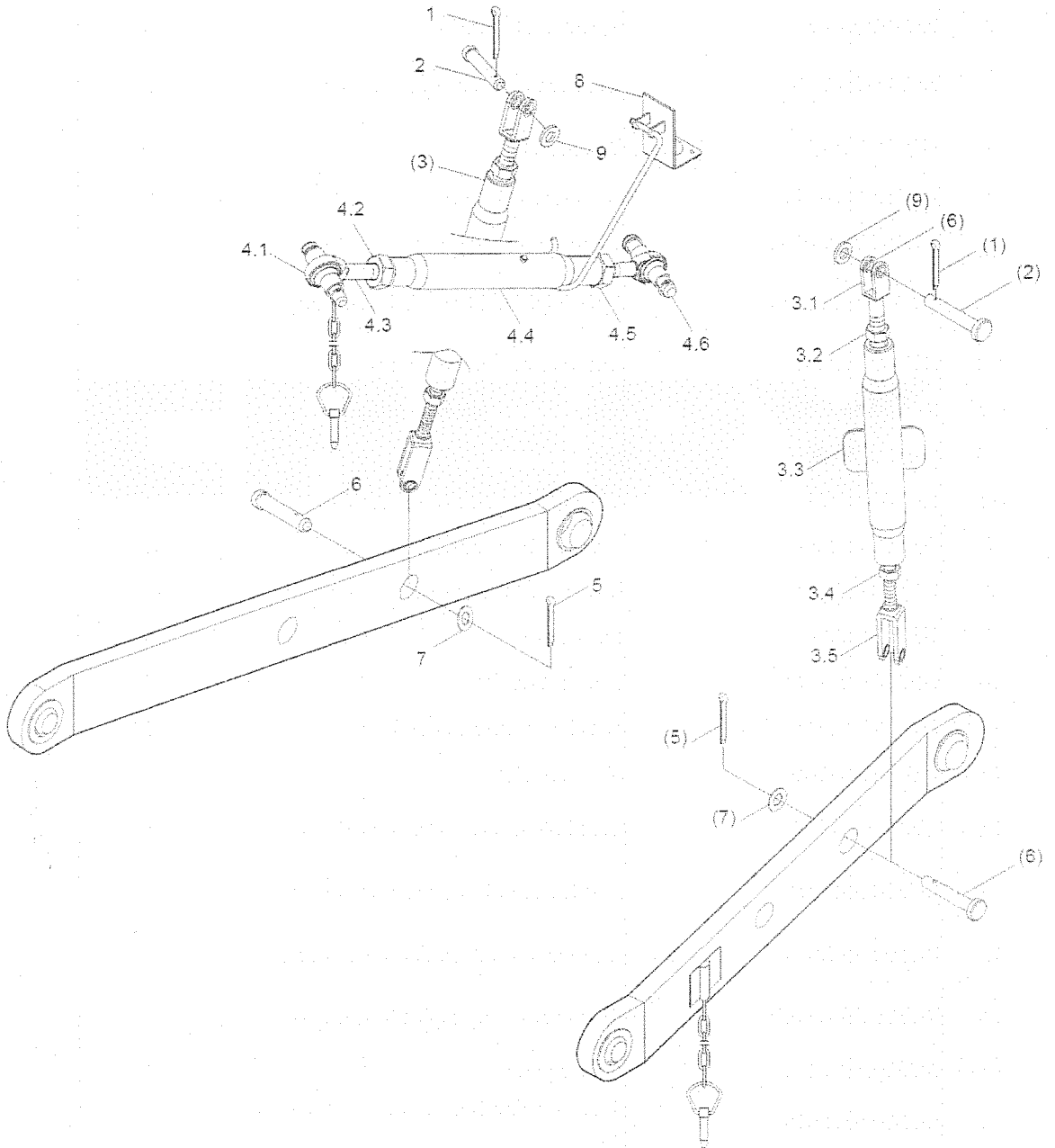
RC500A.56B.001
Suspension Mechanism Assembly (1)



RC500A.56B.001 Suspension Mechanism Assembly (1)

S/N	Code and Specification of Parts	Parts Name	Quantity	Remark
1	RC300.56A.017	Left spacing link support welding-on unit	1	
2	RC800.56.105	Spring lockpin 2	4	
3	RC300.56A.102	Connecting pin of spacing link	2	
4	GB/T93-1987	Washer 16	18	
5	GB/T5783-2000	Bolt M16x40-Zn.D	8	
6	RC300.56A.016a	Limiting rod assembly	2	
6.1	RC300.56A.021a	Telescopic rod ball knob assembly	1	
6.2	RC300.56A.023	Limiting rod pin assembly	1	
6.3	RC300.56A.022a	Telescopic conduit welding part	1	
6.4	GB/T6170-2000	Nut M22	1	
6.5	RC300.56A.161	Limiting rod adjusting screw	1	
7	GB/T882-2000	Axis pin B18x55-Zn.D	2	
8	RC500A.56.012	Lower pull rod assembly	2	
9	GB/T91-2000	Pin 4x36	4	
10	GB/T6178-1986	Nut M20-Zn.D	4	
11	GB/T97.1-2002	Washer 20-200HV-Zn.D	2	
12	GB/T6171-2000	Nut M16x1.5	8	
13	GB/T898-1988	Stud bolt AM16-M16x1.5x45-8.8	8	
14	RC300.56B.015	Left lower pull rod base welding part	1	
15	RC300.56B.014	Right lower pull rod base welding part	1	
16	RC300.56A.110B	Rear connecting pin of limiting rod	2	
17	RC300.56A.111a	Round plate	2	
18	RC300.56A.019	Right spacing link support welding-on unit	1	
19	RC300.56A.103	Unit	4	

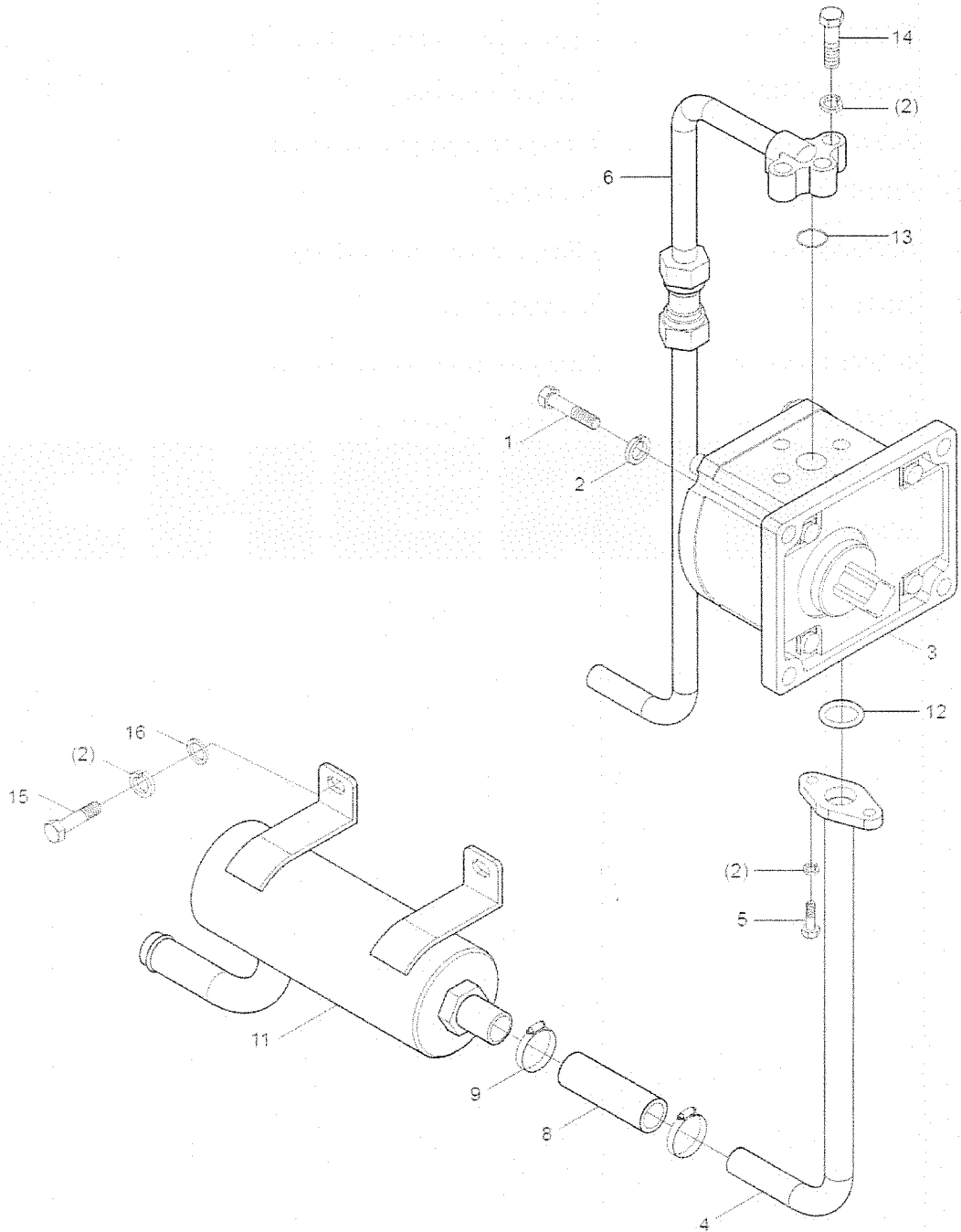
RC500A.56B.001
Suspension Mechanism Assembly (2)



RC500A.56B.001
Suspension Mechanism Assembly (2)

S/N	Code and Specification of Parts	Parts Name	Quantity	Remark
1	RC800.56.105	Spring lockpin 2	2	
2	RC300.56A.101A	Upper connecting pin of lifting rod	2	
3	RC300.56A.013B	Lifting rod assembly	2	
3.1	RC300.56A.107B	Lifting rod upper connecting fork	1	
3.2	GB/T6171.1	Nut M24x2	1	
3.3	RC300.56A.033A	Lifting rod screw tube welding	1	
3.4	GB/T6171.1	Nut M24x2-LH	1	
3.5	RC300\$56A\$108A	Lifting rod down connecting fork	1	
4	RC500A..56.011B	Upper pull rod assembly	1	
6	RC300.56A.112	Down connecting pin of lifting rod	2	
8	RC300.56B.018-1	Upper pull rod fixing clip assembly	1	

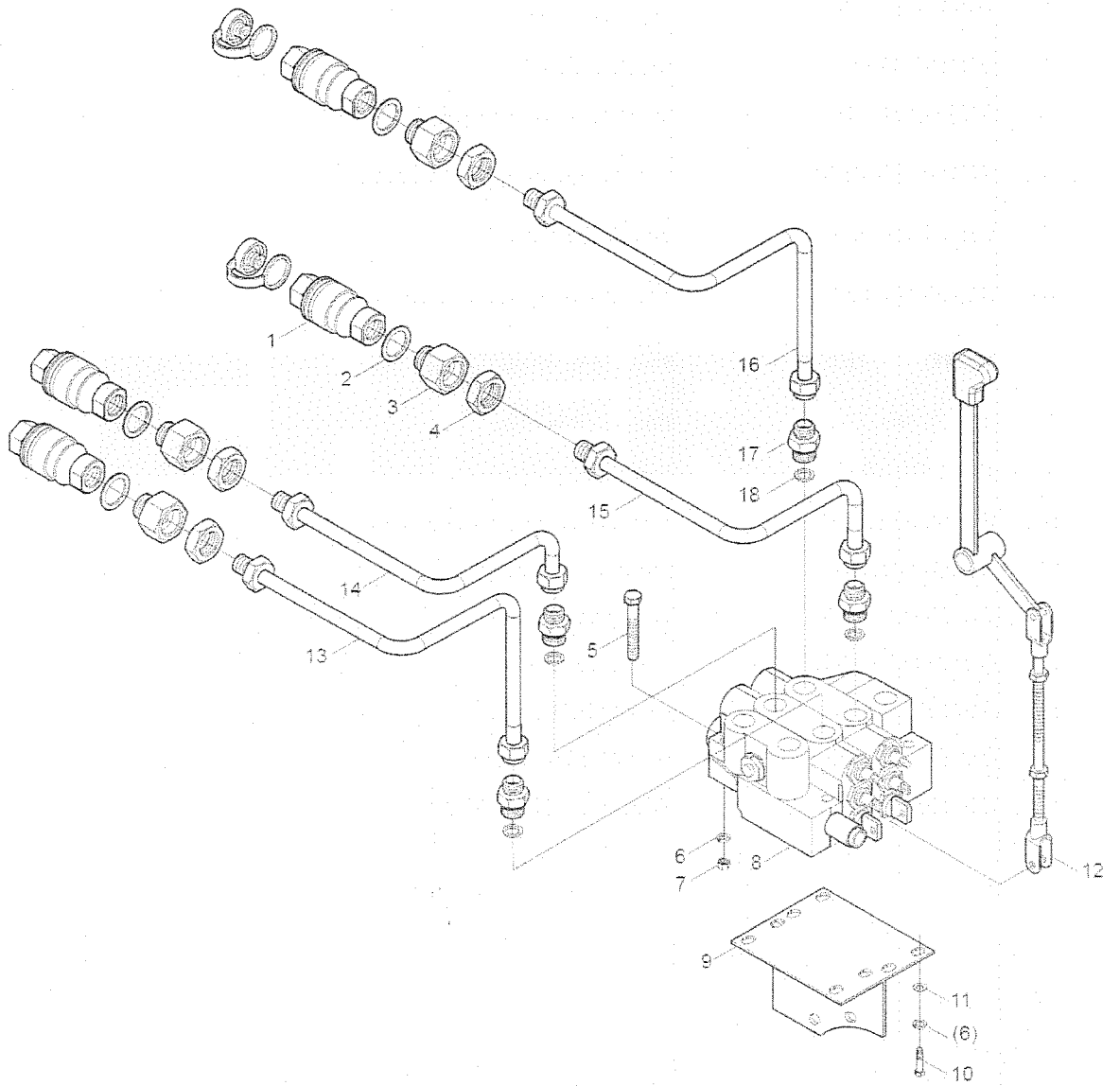
RC450.58PH.002
Oil Pipe Assembly (1) of Oil Pump



RC450.58PH.002
Oil Pipe Assembly (1) of Oil Pump

S/N	Code and Specification of Parts	Parts Name	Quantity	Remark
1	GB/T70.1-2000	Screw M8x35-Zn.D	4	
2	GB/T93-1987	Washer 8-Zn.D	10	
3	RC304.58L.010	Gear pump (left rotation)	1	
4	RC450.58X.015A	Oil suction short pipe welding	1	
5	GB/T5783-2000	Bolt M8x25-Zn.D	4	
6	RC450.58P.052	Pressure oil pipe assembly- I	1	
7	RC700.58A.101	Straight thread connector – body	4	
8	RC300.58A.104	Fuel suction hose	2	
9	JB/T8870-1999	Hose clamp d40	4	
10	RC450.58X.012C	Pressure oil pipe assembly	1	
11	RC400.58X.040	Oil filter assembly	1	
12	GB/T3452.1-1992	O ring 21.2x1.8G	1	
13	GB/T3452.1-1992	O ring 15x2.65G	2	
14	GB/T5783-2000	Bolt M8x35-Zn.D	2	
15	GB/T5783-2000	Bolt M8x20-Zn.D	2	
16	GB/T95-2002	Washer 8-200HV-Zn.D	2	

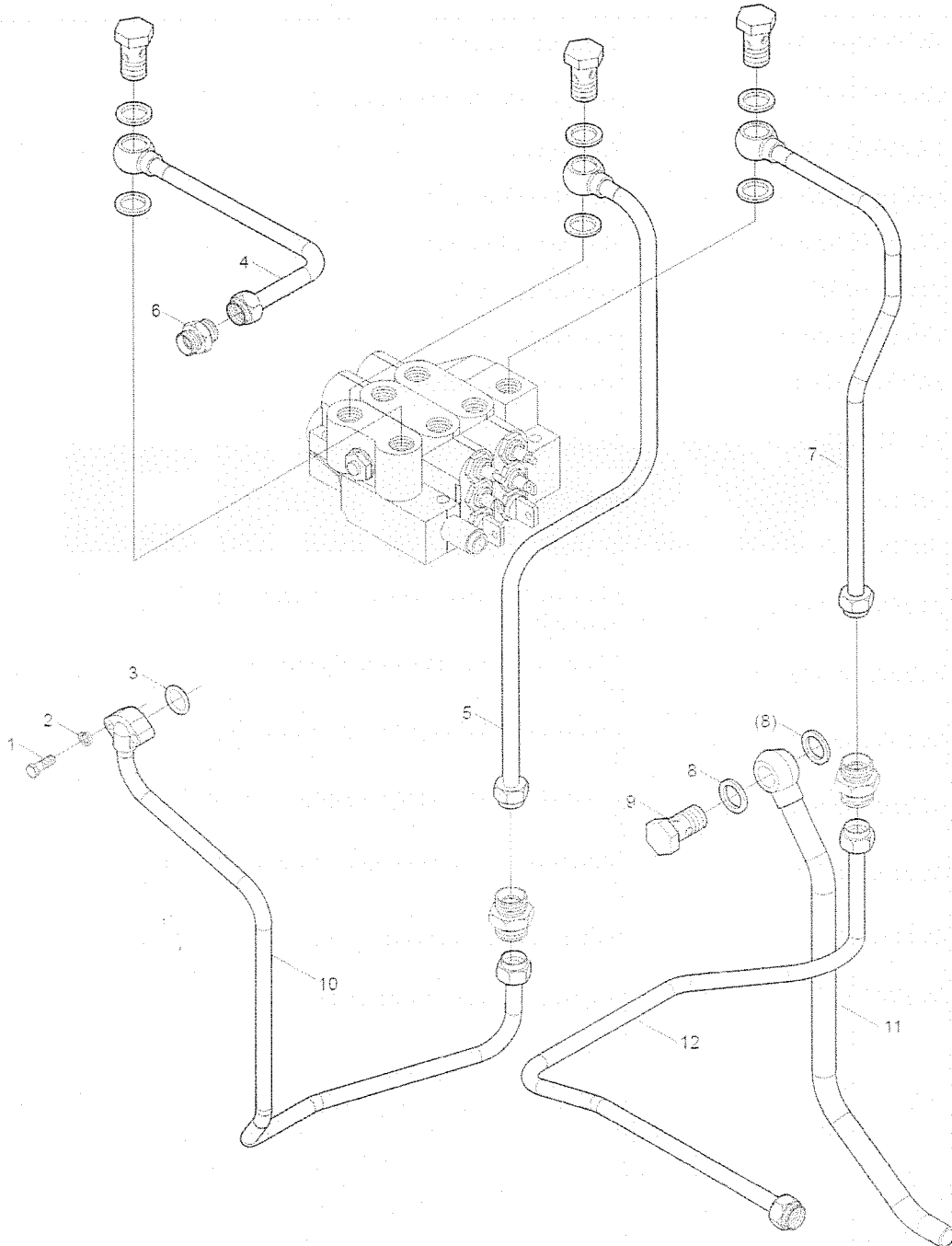
RC450.58PH.002
Oil Pipe Assembly (2) of Oil Pump



RC450.58PH.002
Oil pipe assembly (2) of oil pump

S/N	Code and Specification of Parts	Parts Name	Quantity	Remark
1	RC800.58A.056	Hydraulic output joint	4	
2	JB/T982-1977	A-type combination washer 22	4	
3	RC800.58A.301	Oil pipe joint	4	
4	GB/T6173-2000	Nut M27x2-Zn.D	4	
5	GB/T5782-2000	Bolt M10x70-Zn.D	3	
6	GB/T93-1987	Washer 10-Zn.D	4	
7	GB/T6170-2000	Nut M10-Zn.D	3	
8	RC550.58H.024	Multiway valve assembly	1	
9	RC550.58H.014B	Multiway valve bracket welding	1	
10	GB/T5783-2000	Bolt M10x20-Zn.D	3	
11	GB/T97.1-2002	Washer 10-Zn.D	3	
12	RC550.58P.049-1	Multiway valve control mechanism assembly	1	
13	RC550.58P.043	Multiway valve output oil pipe assembly 6	1	
14	RC550.58P.042	Multiway valve output oil pipe assembly 5	1	
15	RC550.58P.041	Multiway valve output oil pipe assembly 4	1	
16	RC550.58P.040	Multiway valve output oil pipe assembly 3	1	
17	RC804.58A.112	Straight thread connector – body	4	
18	JB/T982-1977	A-type combination washer 18	4	

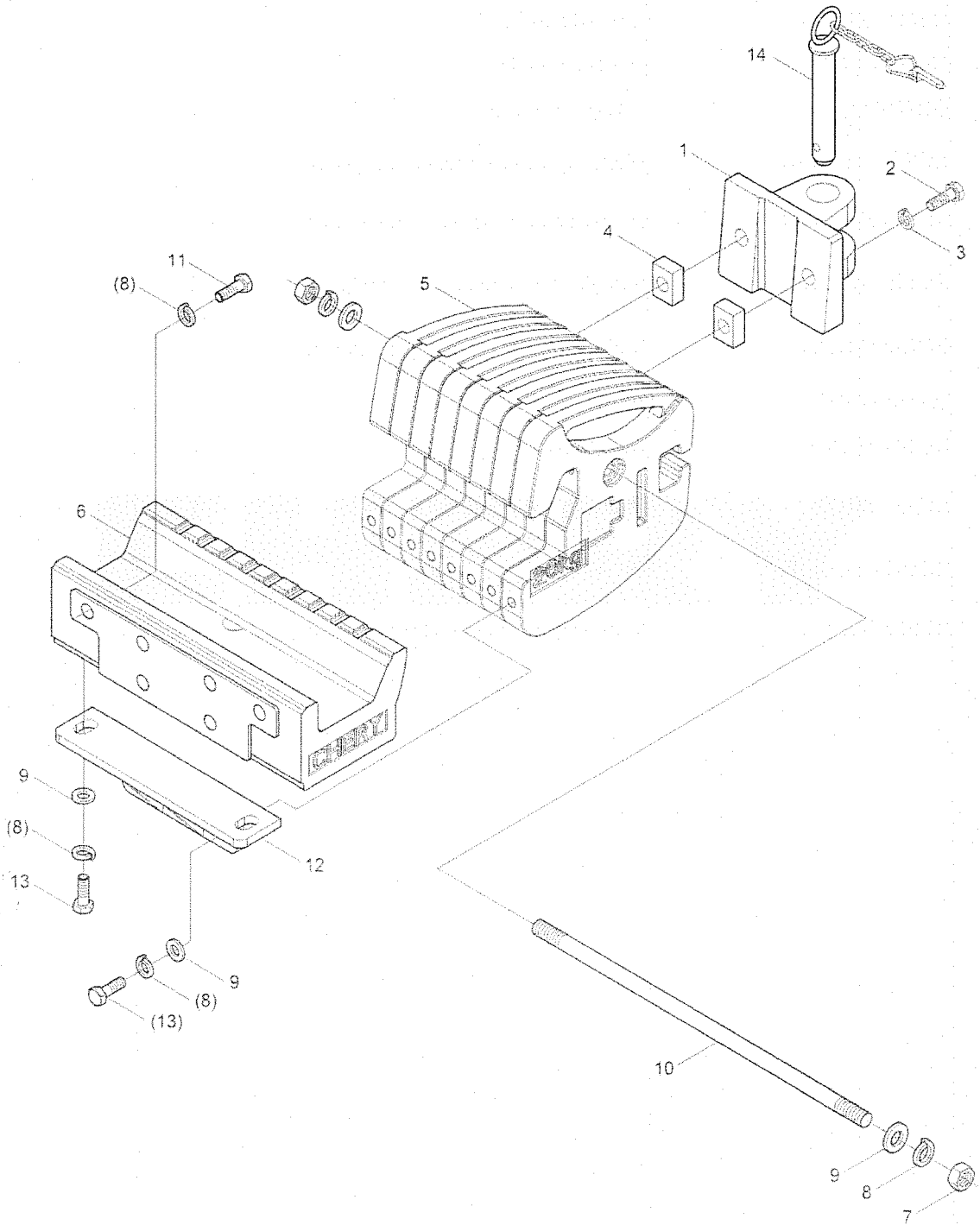
RC450.58PH.002
Oil Pipe Assembly (3) of Oil Pump



RC450.58PH.002
Oil Pipe Assembly (3) of Oil Pump

S/N	Code and Specification of Parts	Parts Name	Quantity	Remark
1	GB/T5783-2000	Bolt M8x40-Zn.D	2	
2	GB/T93-1987	Washer 8-Zn.D	10	
3	GB/T3452.1-1992	O ring 19x2.65G	1	
4	RC550.58H.019A	Multiway valve oil return pipe assembly	1	
5	RC550.58H.021B	Multiway valve output oil pipe assembly 1	1	
6	RC800.58A.102	Straight thread connector – body	1	
7	RC550.58H.020-2	Multiway valve oil inlet pipe assembly 1	1	
8	JB/T982-1977	Washer 22	8	
9	RC300.58.101	Hollow bolt	4	
10	RC550.58H.012A	Multiway valve output oil pipe assembly 2	1	
11	RC450.58X.011B	Oil suction pipe welding	1	
12	RC550.58H.011C	Multiway valve oil inlet pipe assembly 2	1	

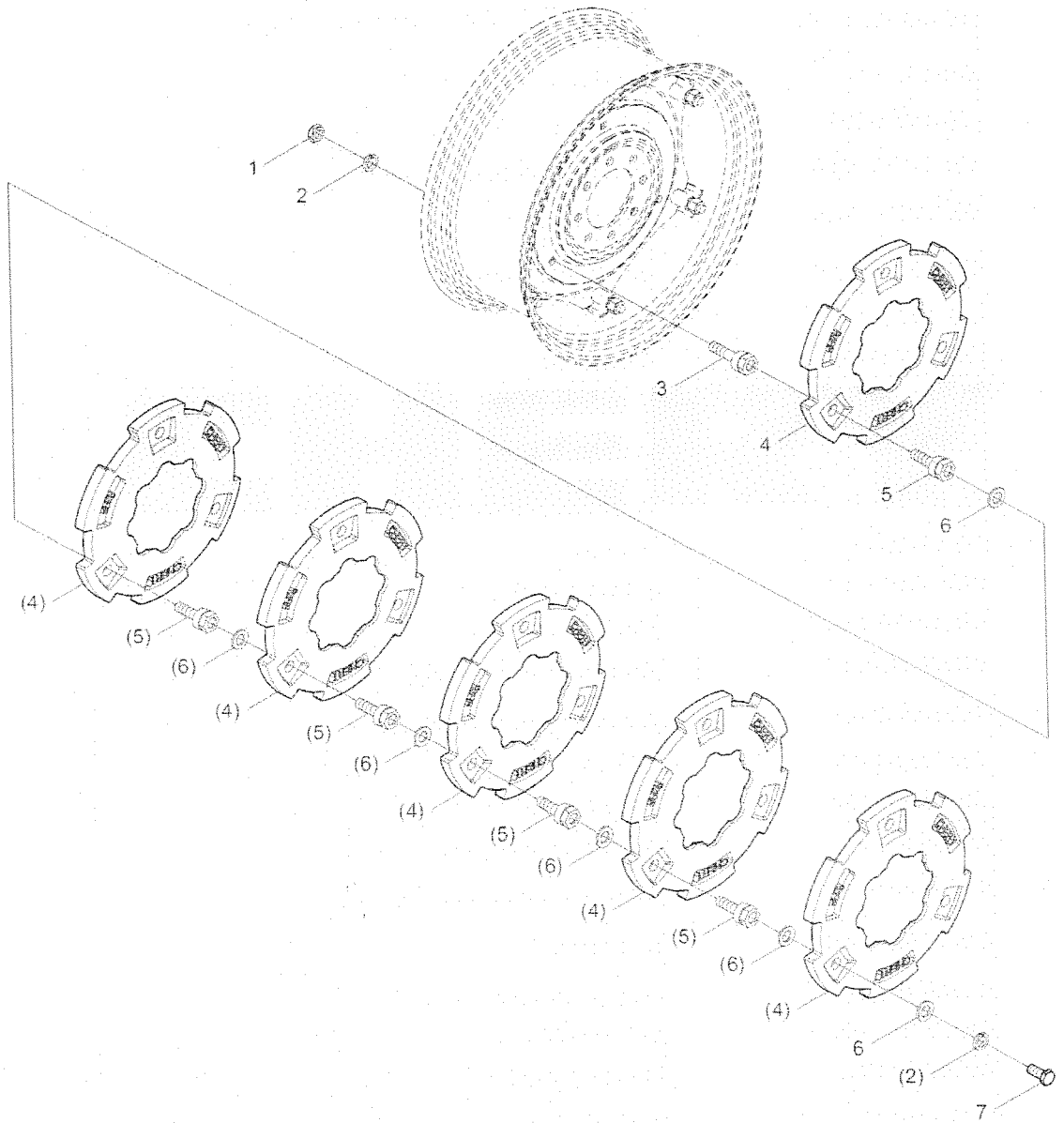
RC404.74.001A
Front Weights Assembly



RC404.74.001A Front Weights Assembly

S/N	Code and Specification of Parts	Parts Name	Quantity	Remark
1	RC300.74A.110B	Traction lug	1	
2	GB/T5785-2000	Bolt M20x 1.5x80-Zn.D	2	
3	GB/T93-1987	Washer 20	2	
4	RC650.74.108	Traction nut	2	
5	RC300.74A.106A	Counterweight block	8	
6	RC300.74A.101A	Counterweight frame	1	
7	GB/T6170-2000	Nut M16-Zn.D	2	
8	GB/T93-1987	Washer 16	12	
9	GB/T97.1-2002	Washer 16-200HV-Zn.D	6	
10	RC404.74A.108	Connecting bolt	1	
11	GB/T5782-2000	Bolt M16x55-Zn.D	6	
12	RC300.74A.107	Fixed frame	1	
13	GB/T5783-2000	Bolt M16x40-Zn.D	4	
14	RC300.74A.010	Traction pin welding	1	

RC300.91.001
Rear Weights Assembly



RC300.91.001

Rear Weights Assembly

S/N	Code and Specification of Parts	Parts Name	Quantity	Remark
1	GB/T6171	Nut M16X1.5-A3L	3	
2	GB/T93	Washer 16	6	
3	RC300.91.103	Rear counterweight screw n	3	
4	RC300.91.101A	Rear counterweight	6	
5	RC300.91.102	Rear counterweight screw I	15	
6	RC300.91.104	Washer	18	
7	GB/T5786	Bolt M16X1.5X30-A3L	3	

Parts Catalogue of RK404-A/RK454-A/RK504-A Wheeled Tractor

Prepared by Chery Heavy Industry Co., Ltd.

Internal materials Keep carefully

Format:880 x 1230 1/16 Number: RK.LJ-00.1

1st Edition of 2013; first printed in June 2013

CHERY

FOR A GREEN FUTURE

CHERY HEAVY INDUSTRY CO.,LTD.

Add.: No.16 Exi Rd, Sanshan economic development zone, Wuhu City, Anhui Province.

Manufacturer: Chery Heavy Industry Henan Co.,Ltd

Plant site: No.98 Songcheng Rd, Kaifeng City, Henan Province.

Sales hotline: (86)10-63707028

Service hotline: (86)10-63707178

E-mail:sales@cheryhi.com

Website: www.cheryhi.cn